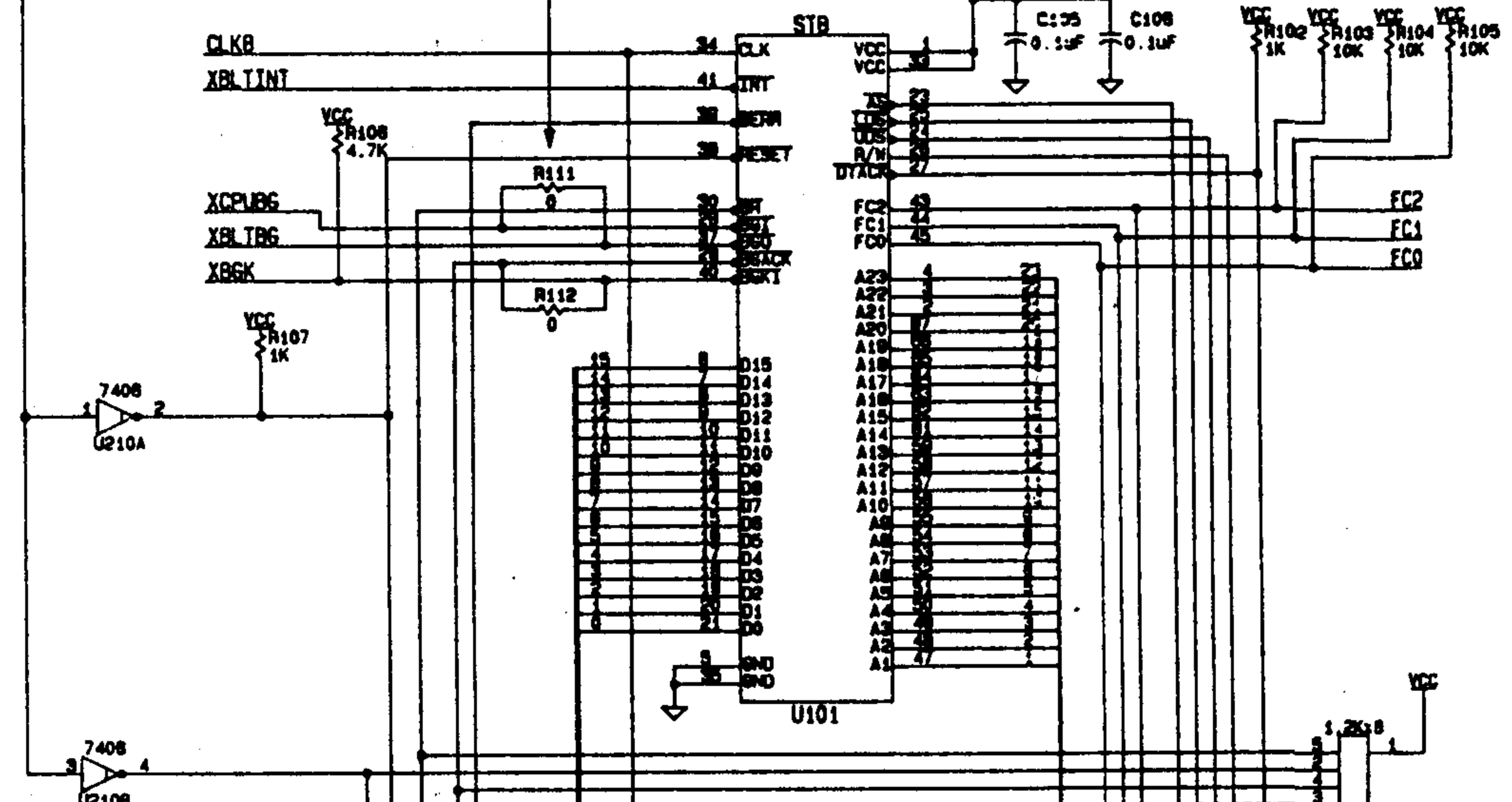


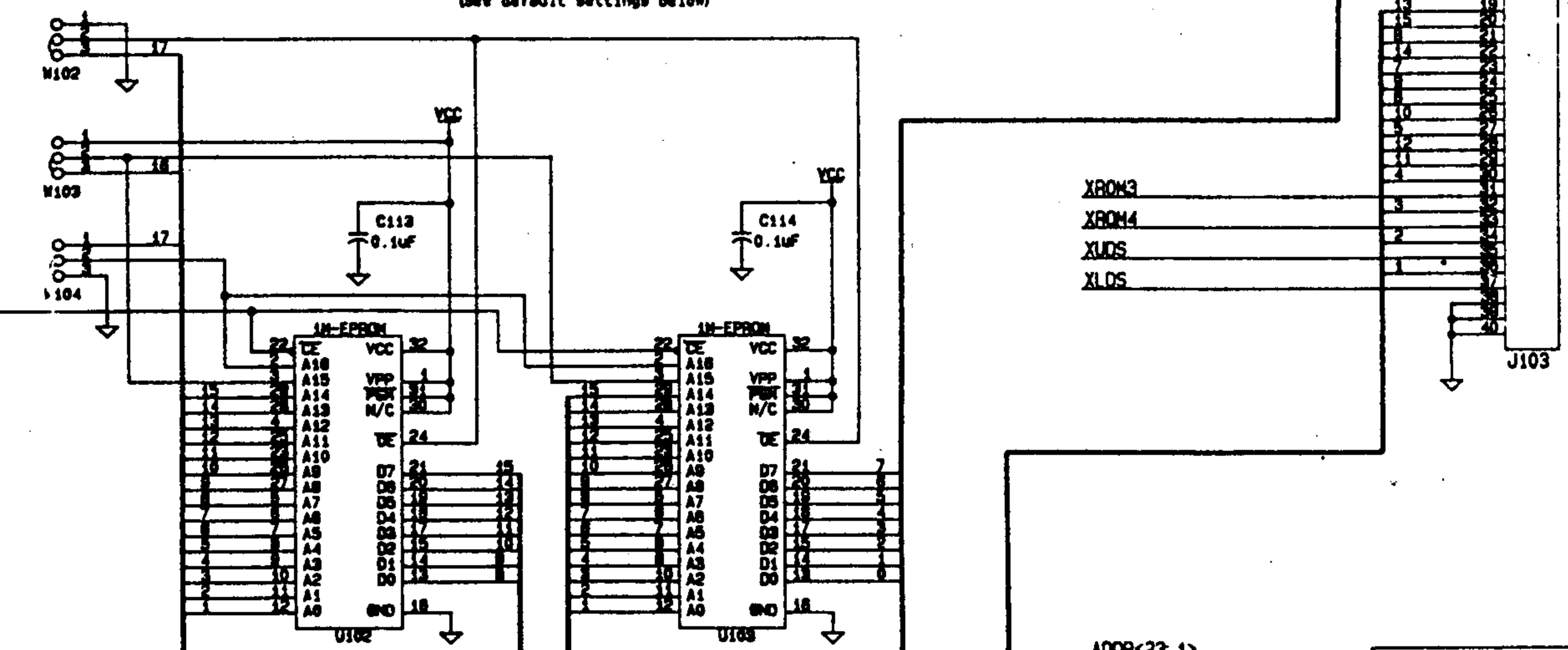
R111 and R112 Installed ONLY when U101 is NOT installed.



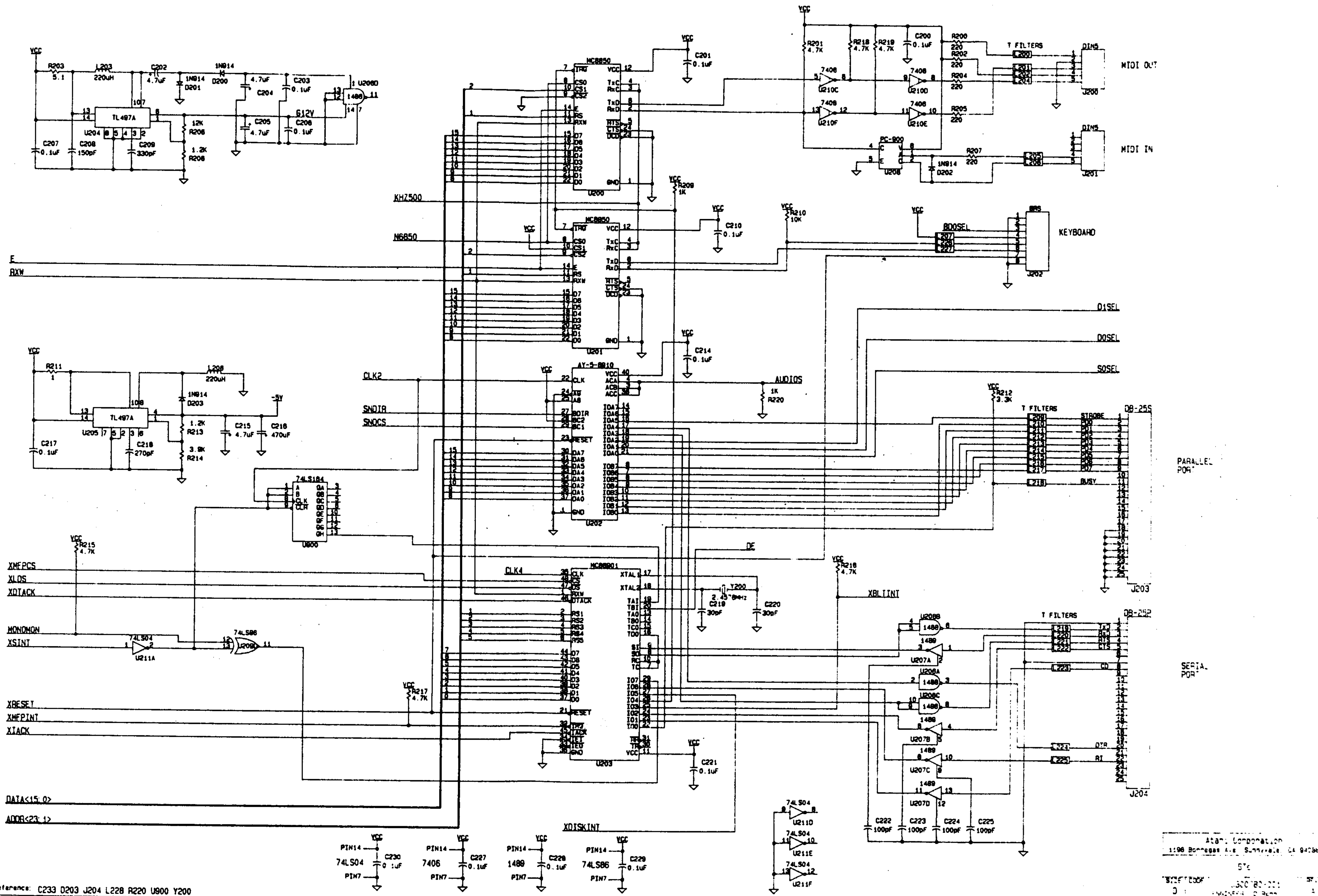
ROM jumper settings

Part Type	M102	M103	M104
27256	Don't Care	1 and 2	N/C
27512	2 and 3	2 and 3	N/C
571001/27C1000/531000	2 and 3	2 and 3	2 and 3
27010/571000/27C1001	1 and 2	2 and 3	1 and 2

Note: Jumpers are shown set for Meg Roms
(See default settings below)

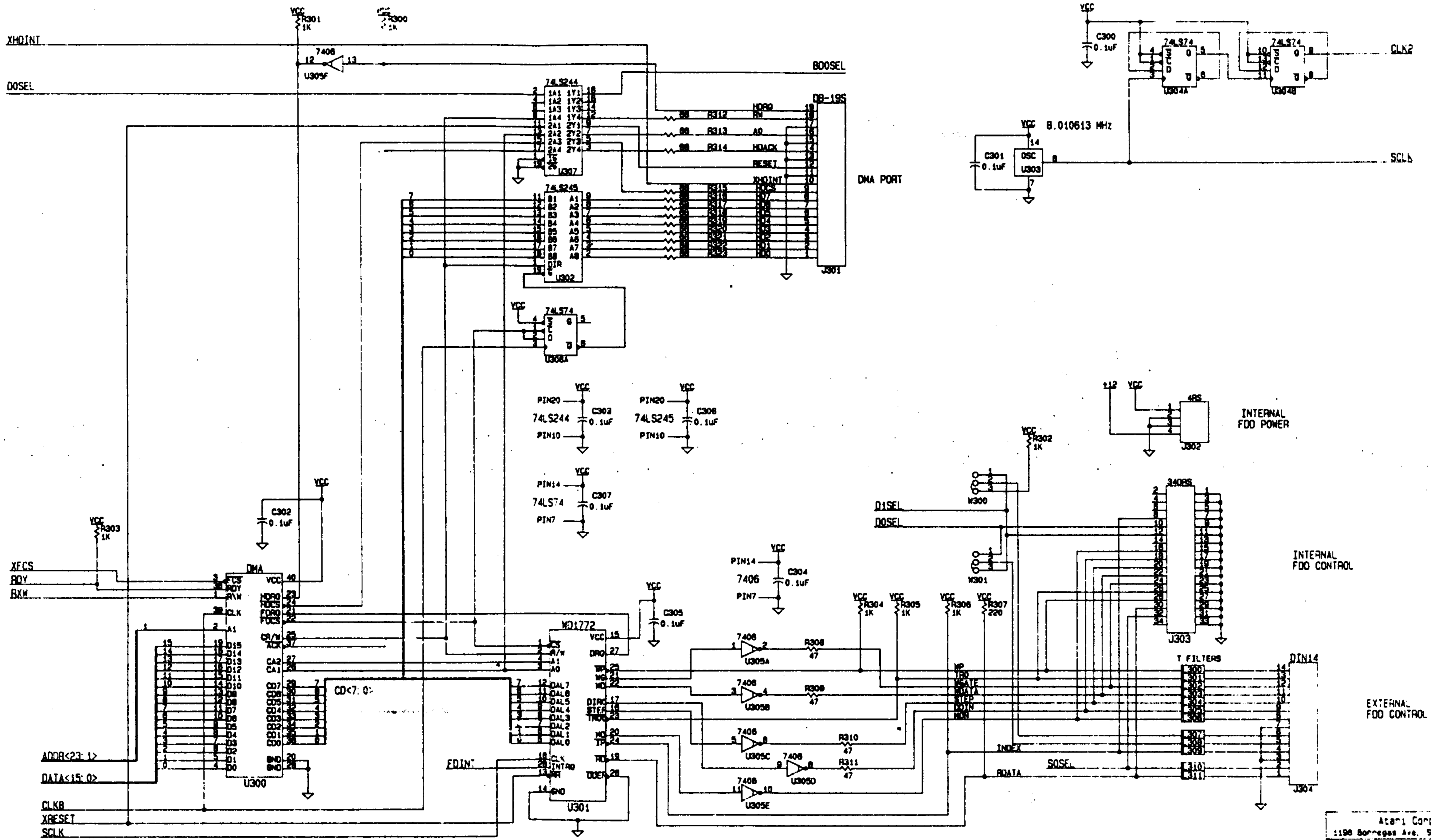


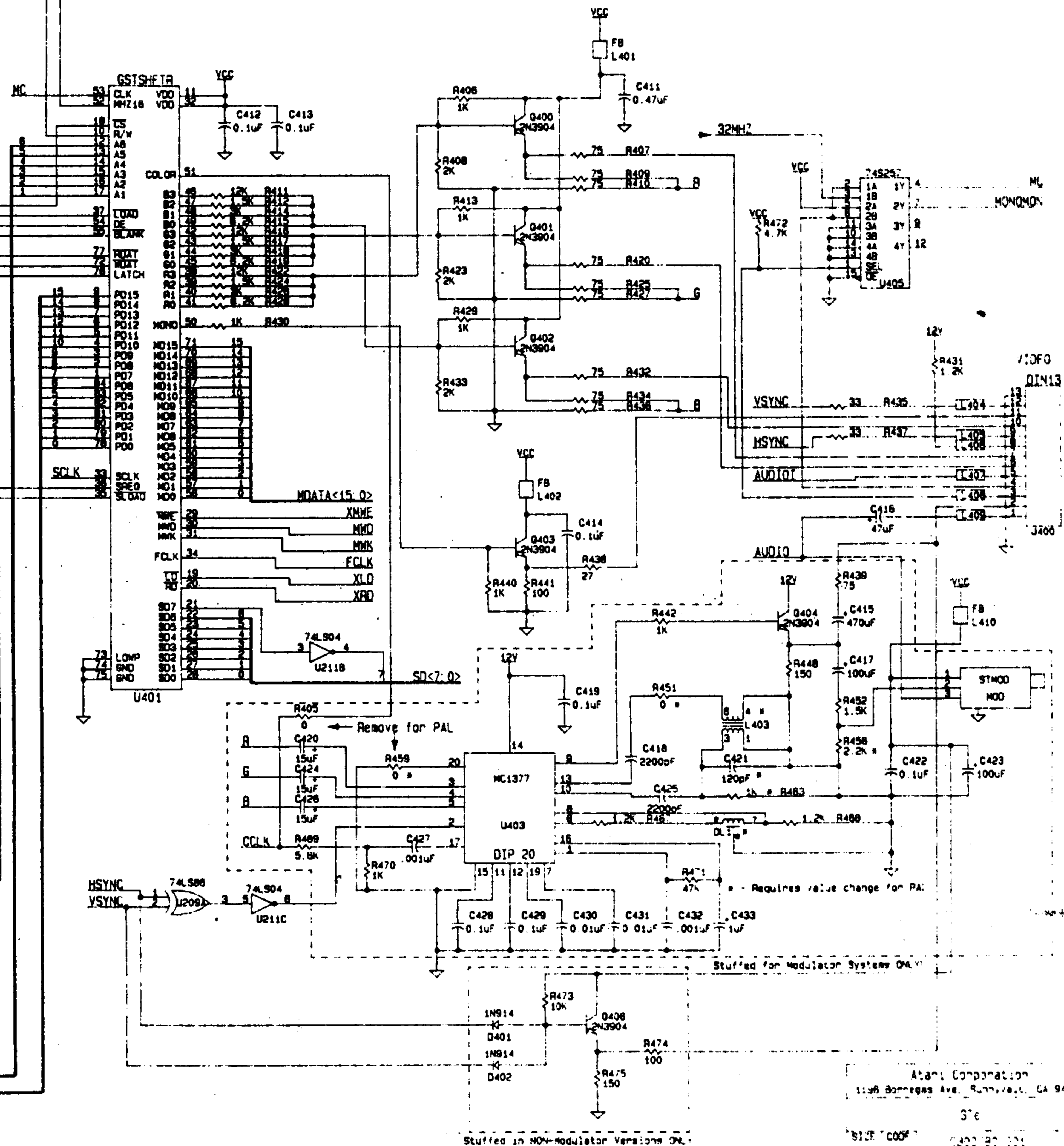
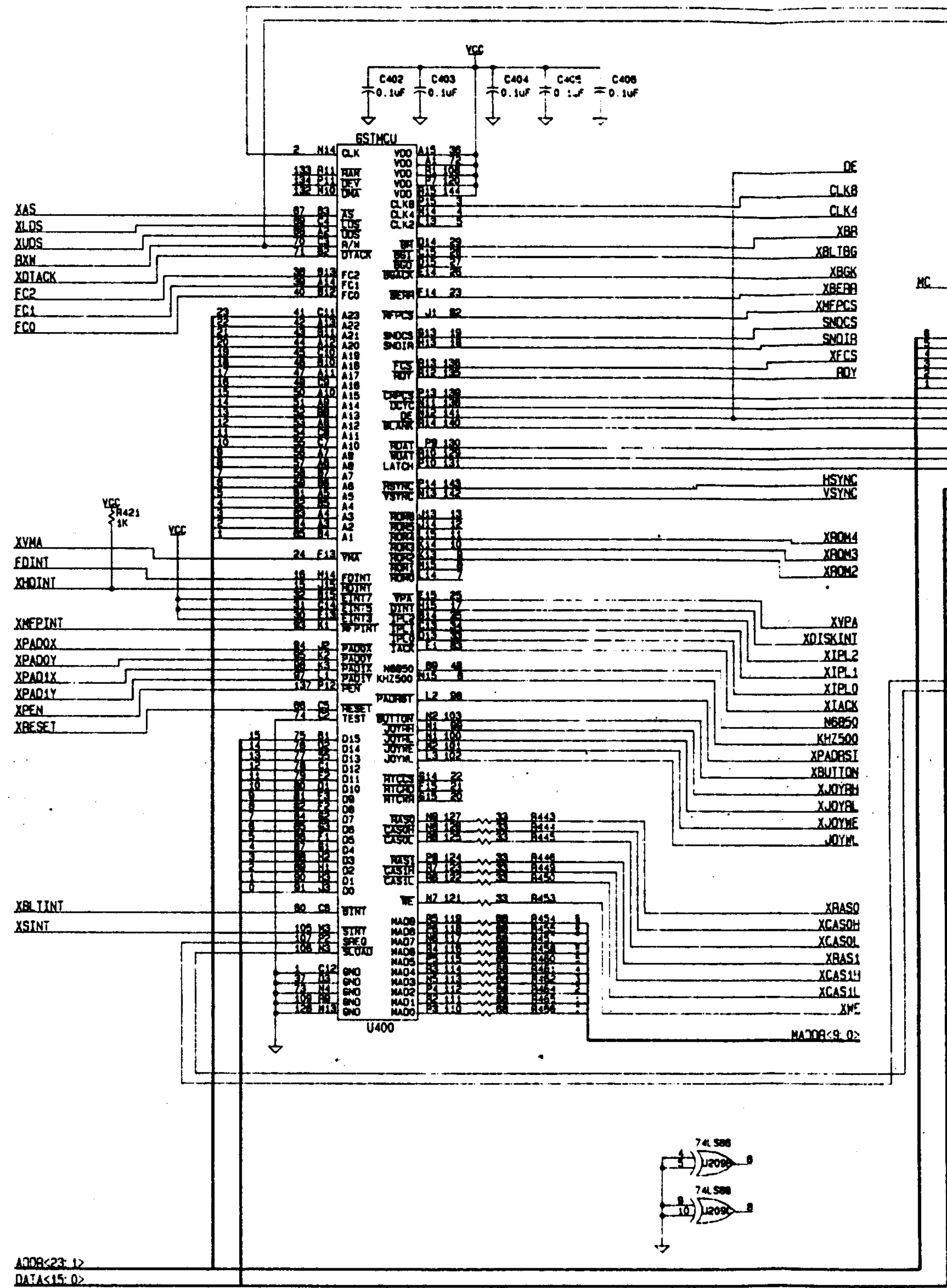
ADDR<23:1>
DATA<15:0>



Atari Corporation
 1196 Borregas Ave. Sunnyvale, CA 94086
 57c
 DATE 03-11-80

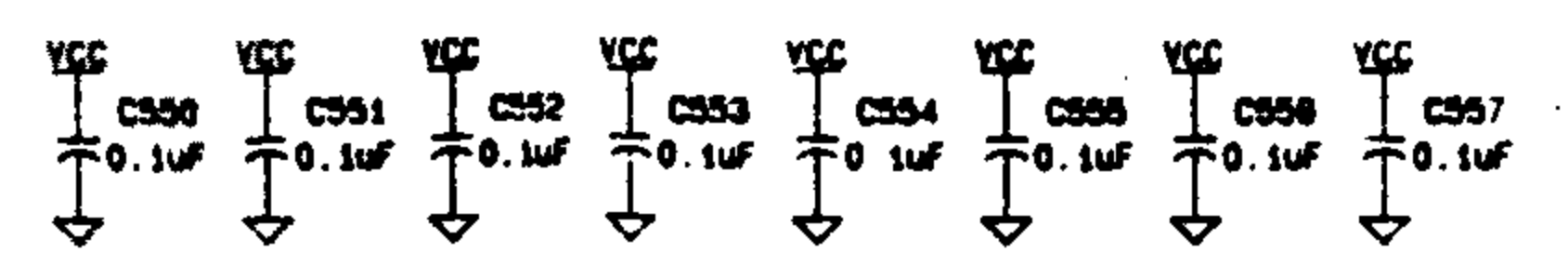
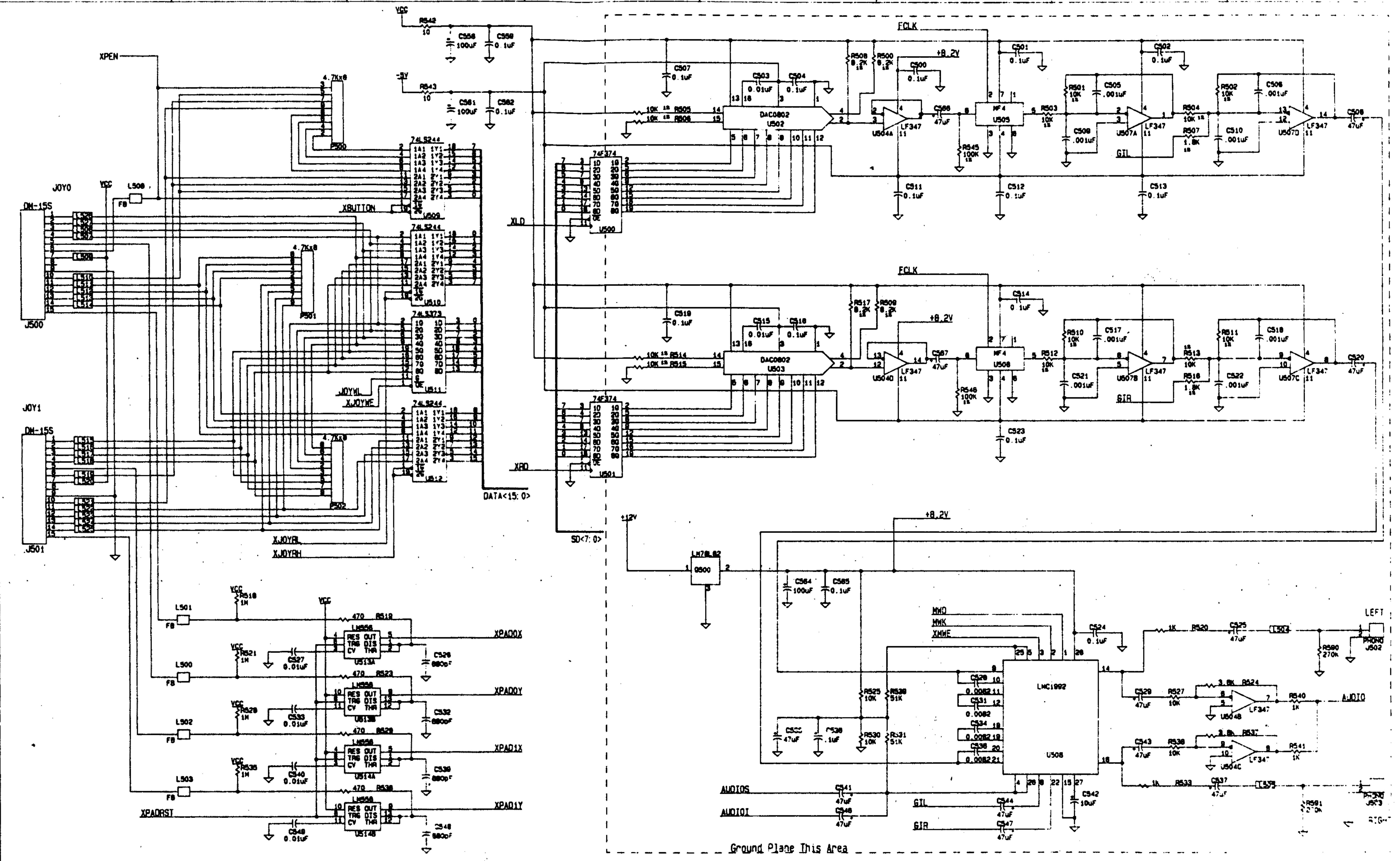
Last Reference: C233 D203 J204 L228 R220 U900 Y200





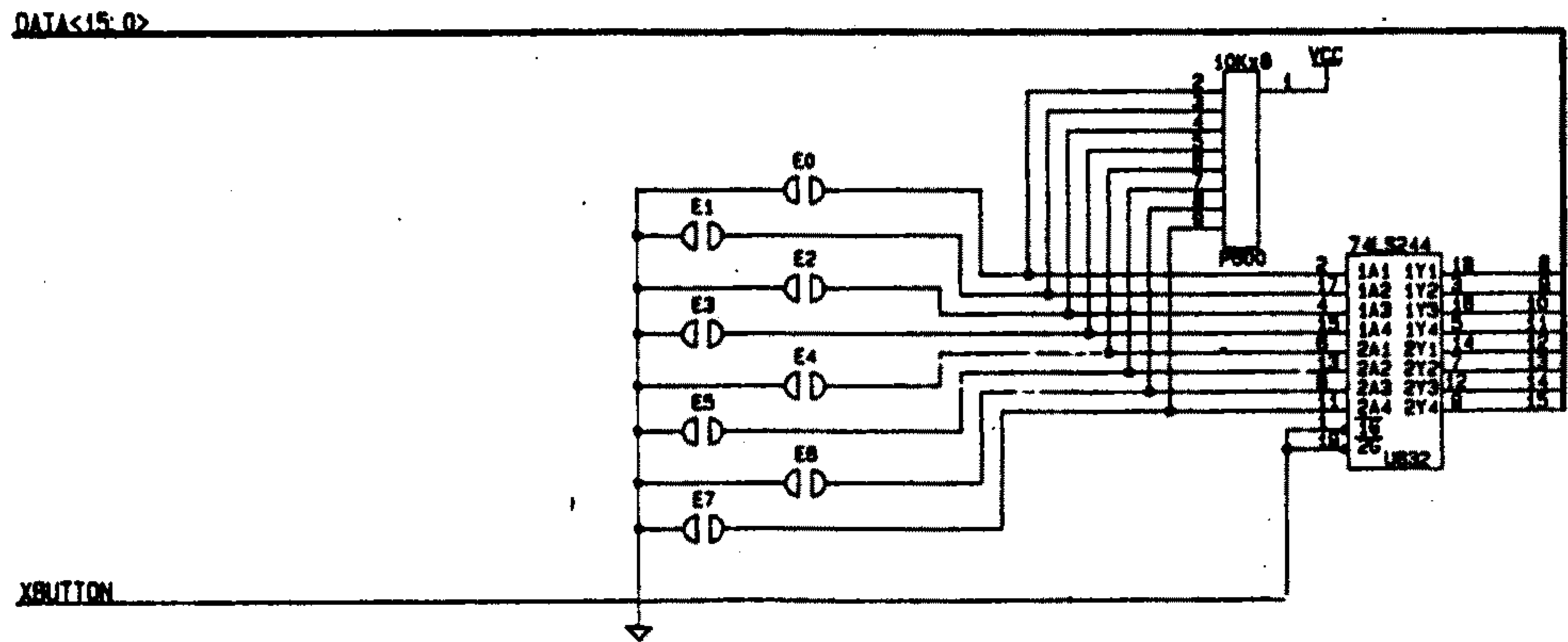
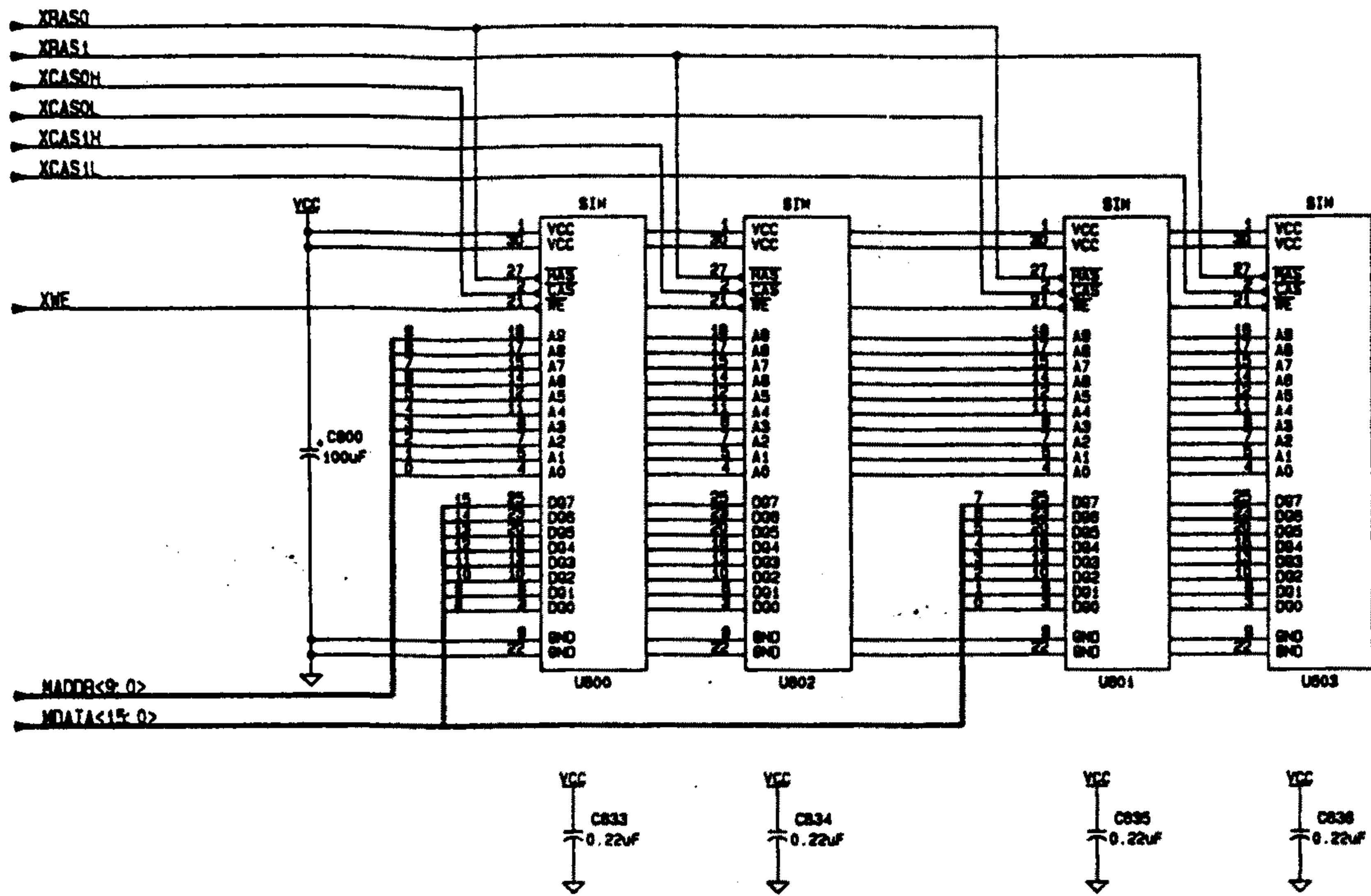
ADDRESS<23:1>
DATA<15:0>

Atari Corporation
1106 Bannockburn Ave., Sunnyvale, CA 94086



Last Reference: C565 J503 L527 P502 R591 U514 Q500

Atari Corporation
 1196 Bonnegas Ave. Sunnyvale, CA 94088
 Ste
 SITE CODE: C300780-001
 ENGINEER: D. Penn
 DATE: October 3, 1980
 REV: A



Atari Corporation
 1196 Borregas Ave. Sunnyvale, CA 94086

5'e

SIZE CODE 0300780-011
 D ENGINEER D Penn
 DATE 1/10/81