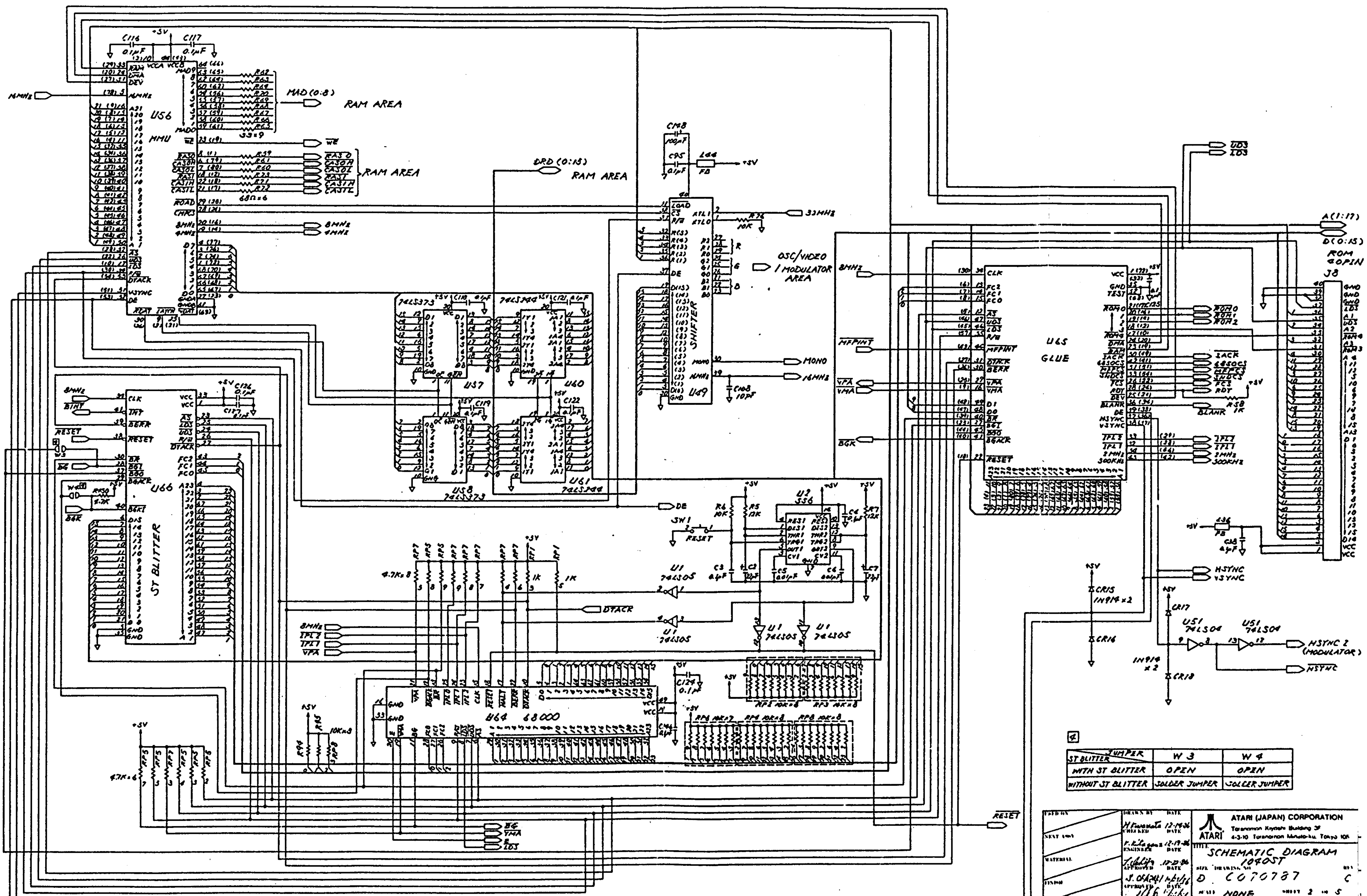


3. NOISE FILTER : SEE DETAIL 2  
 2. RESISTORS ARE MEASURED IN OHMS, 5%, 1/4 WATT.  
 1. CAPACITORS ARE MEASURED IN MICROFARADS.  
 NOTES - UNLESS OTHERWISE SPECIFIED:

DESIGNED BY <b>1080STFM</b> <b>11080STF</b> CHECKED BY <b>CA200152-XXX</b> MATERIALS FINISH	DRAWN BY <b>11/81</b> DATE <b>11/81</b> APPROVED BY <b>11/81</b> DATE <b>11/81</b>	ATARI (JAPAN) CORPORATION Toranomon Kyushu Building 3F 4-3-10, Toranomon Minato-ku, Tokyo 106 <b>ATARI</b> <b>SCHEMATIC DIAGRAM</b> <b>1080ST</b> <b>D C070787</b> SHEET 1 OF 5
---	---	--

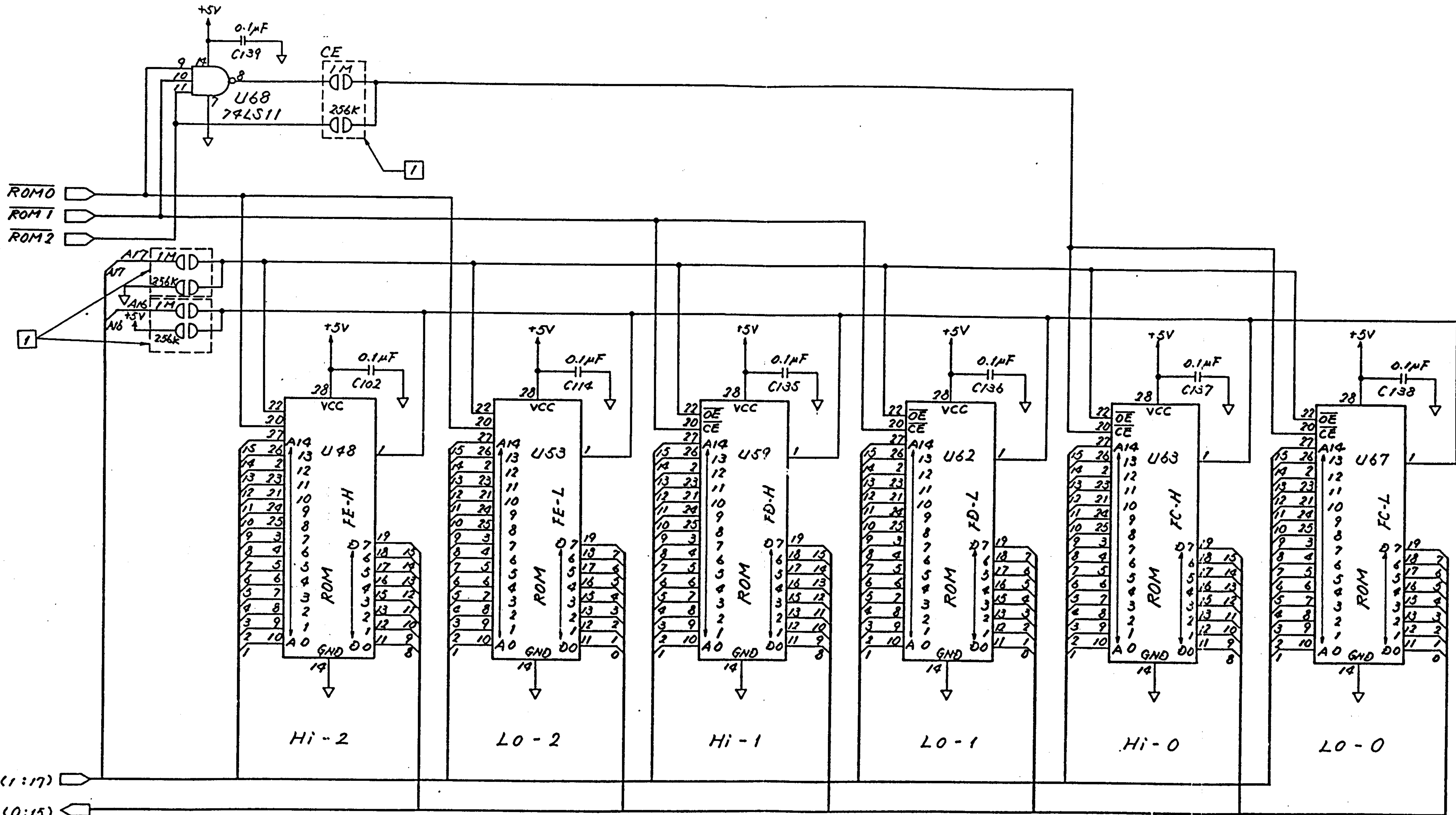


ST BLITTER	JUMPER	W 3	W 4
WITH ST BLITTER	OPEN	OPEN	OPEN
WITHOUT ST BLITTER	SOLDER JUMPER	SOLDER JUMPER	SOLDER JUMPER

DATE	12-19-86	DATE	12-19-86	DATE	12-19-86
DESIGNED BY	H. KAWAMOTO	ENGINEER	H. KAWAMOTO	DATE	12-19-86
APPROVED BY	S. OZAKI	DATE	12-19-86	DATE	12-19-86
DRAWN BY		DATE		DATE	
MATERIAL		DATE		DATE	
SYSTEM		DATE		DATE	

ATARI (JAPAN) CORPORATION  
 ATARI  
 Toranomon Kyushu Building 3F  
 4-3-10 Toranomon Minato-ku Tokyo 106  
 TITLE: SCHEMATIC DIAGRAM 1090ST  
 SIZE: DRAWING NO. D C070787  
 NONE



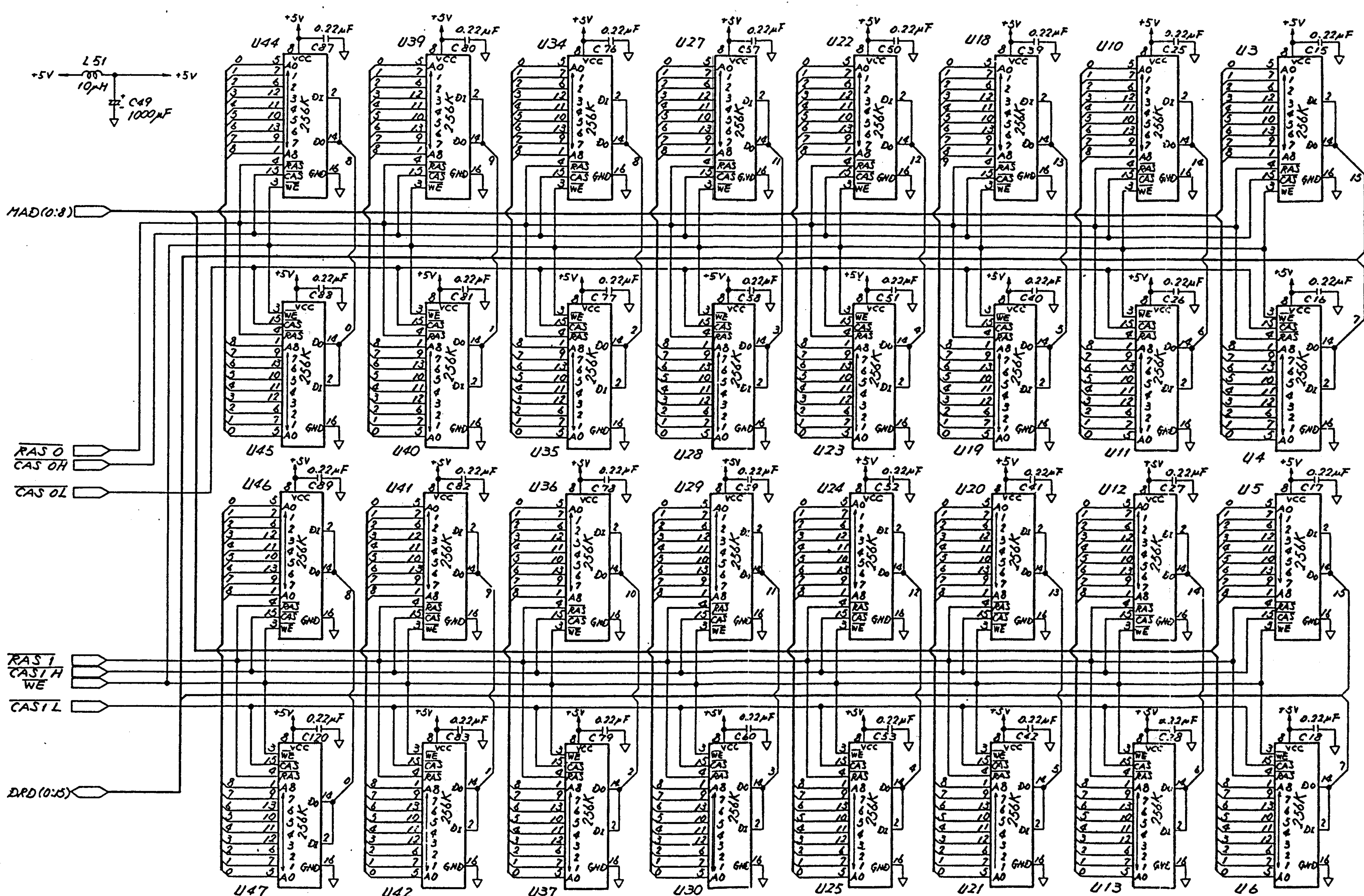


1 U48, U53;

PIN NO.	PIN ASSIGNMENTS	
	256 K	1 M
22	$\overline{OE}$	A17
1	NC	A16
20	$\overline{CE}$	$\overline{CE}$

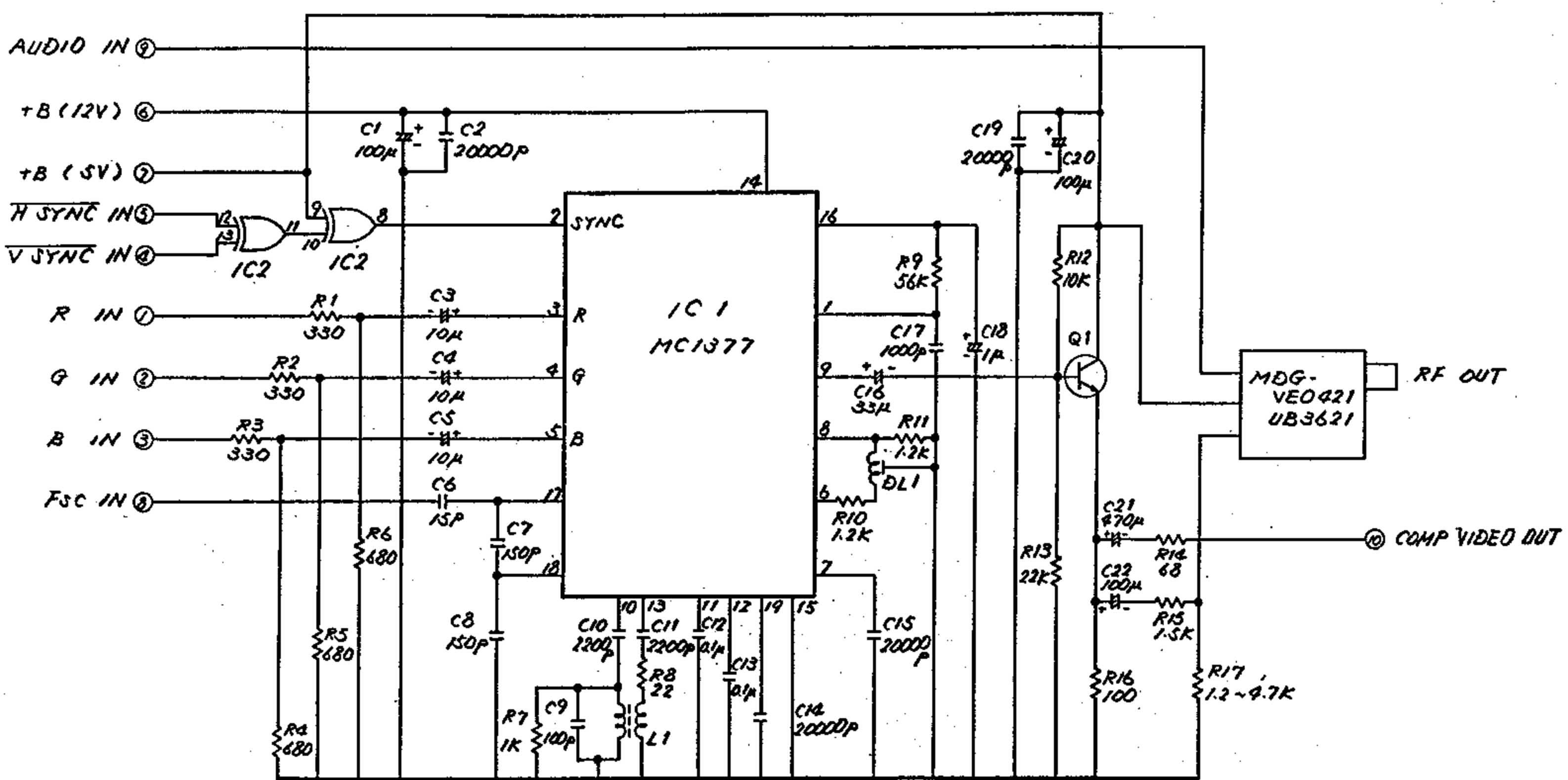
REV	REVISIONS DESCRIPTION	DATE	APPROVED
	SEE SHEET 1.		

USED-ON	DRAWN BY H. Kawamoto 12-14-86	DATE 12-14-86	<b>ATARI (JAPAN) CORPORATION</b> Toranomon Kiyoshi Building 4-3-10, Toranomon Minato-ku, Tokyo 105
NEXT ASSY	CHECKED K. Kiyama 12-19-86	DATE 12-19-86	
MATERIAL	ENGINEER T. Kiyama 12-22-86	DATE 12-22-86	TITLE <b>SCHEMATIC DIAGRAM</b> 1040ST
FINISH	APPROVED S. Ohtani 12/26/86	DATE 12/26/86	SIZE C
			DRAWING NO. <b>C070787</b>
			SCALE NONE
			REV C
			SHEET 4 OF 5



REV	REVISIONS DESCRIPTION	DATE	APPROVED
	SEE SHEET 1.		

USED ON	DRAWN BY H. Kawamoto	DATE 12-14-86	ATARI (JAPAN) CORPORATION Toranomon Kiyoshi Building 4-3-10, Toranomon Minato-ku, Tokyo 105
NEXT ASSY	CHECKED K. Kiyama	DATE 12-21-86	
MATERIAL	ENGINEER T. Iizuka	DATE 12-22-86	TITLE SCHEMATIC DIAGRAM 1080ST
FINISH	APPROVED S. OZAKI	DATE 1/20/87	SIZE C
	APPROVED M. Ochi	DATE 1/24/87	DRAWING NO. C070787
			SCALE NONE
			SHEET 5 OF 5

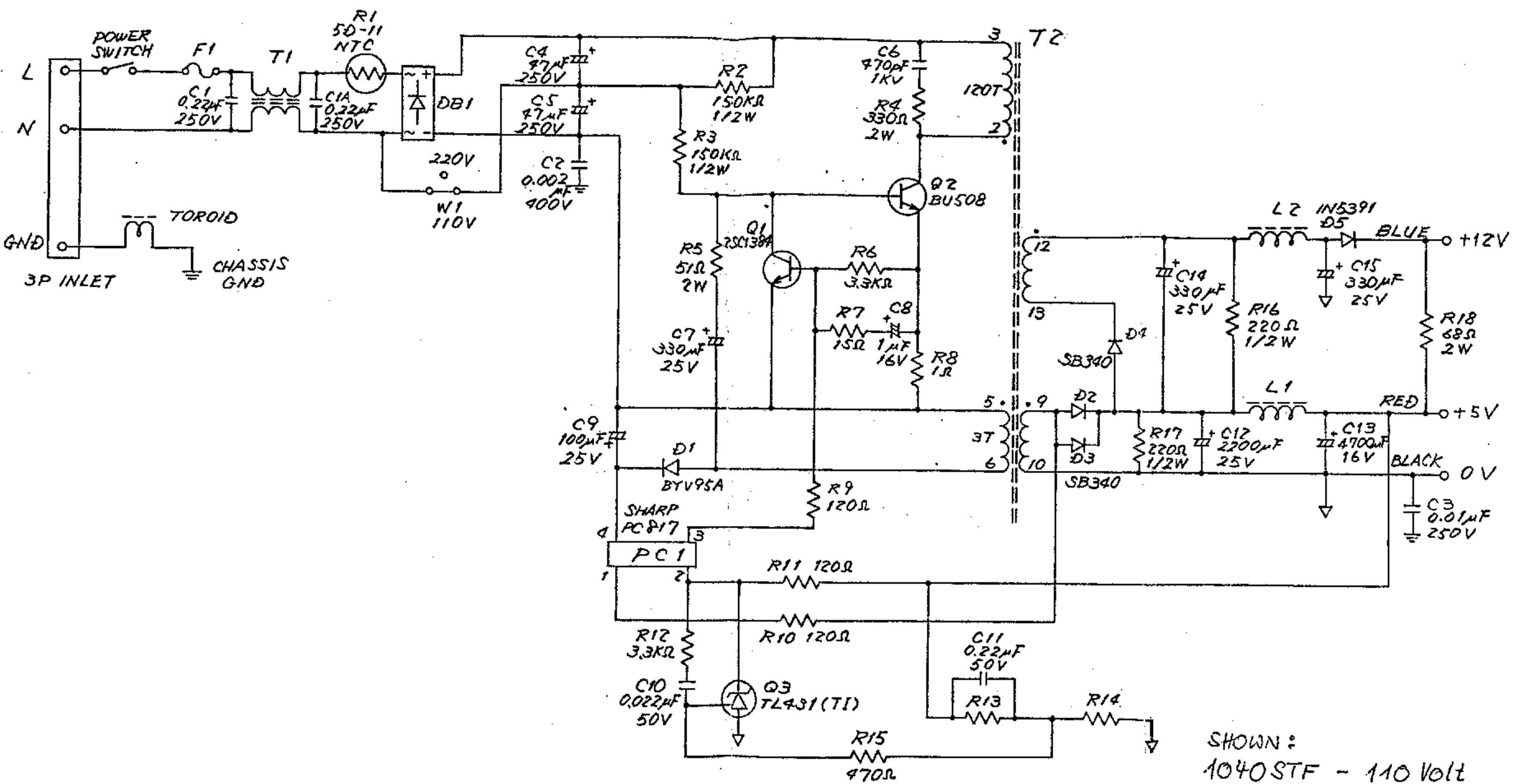


4. COMPONENT PARTS VALUE : R = Ω, C = F  
 3. Q1 : 2SC1684 OR EQUIVALENT  
 2. IC2 : DN74LS86 OR EQUIVALENT  
 1. IC1 : MC1377 OR EQUIVALENT  
 NOTES - UNLESS OTHERWISE SPECIFIED:

TOLERANCES	
UNDER 30	±0.1
30 THRU 300	±0.2
OVER 300	±0.4

USED ON	DRAWN BY	DATE
NEXT ASSY	H. Kawada	6-11-86
MATERIAL	CHECKED	DATE
FINISH	K. K. Tagawa	6-13-86
	ENGINEER	DATE
	K. Manganawa	6-17-86
	APPROVED	DATE
	[Signature]	6/17/86

<b>ATARI (JAPAN) CORPORATION</b> Toranomon Kiyoshi Building 3F 4-3-10, Toranomon Minato-ku, Tokyo 105		
TITLE		
RGB/ENCODER MODULATOR		
SIZE	DRAWING NO.	REV
B	C070518	A
SCALE	SHEET 8 OF 10	
NONE		



REV	REVISIONS DESCRIPTION	DATE	APPROVED
A	PRODUCTION RELEASE	7/20/87	<i>[Signature]</i>

TOLERANCES	
UNDER 30	±0.1
30 THRU 300	±0.2
OVER 300	±0.4

USED ON	ASP34-1	DRAWN BY	I. Yoshida	DATE	4/23/86
NEXT ASSY		CHECKED	K. Kitagawa	DATE	9-18-86
MATERIAL		ENGINEER	A. Shinagawa	DATE	10-23-86
FINISH		APPROVED	<i>[Signature]</i>	DATE	12/2/86

<b>ATARI (JAPAN) CORPORATION</b> Toranomon Kiyoshi Building 3F 4-3-10, Toranomon Minato-ku, Tokyo 105		
TITLE <b>SCHEMATIC DIAGRAM (ASP34-1)</b>		
SIZE	DRAWING NO.	REV
B	C070798	A
SCALE	NONE	
SHEET		1 OF 1