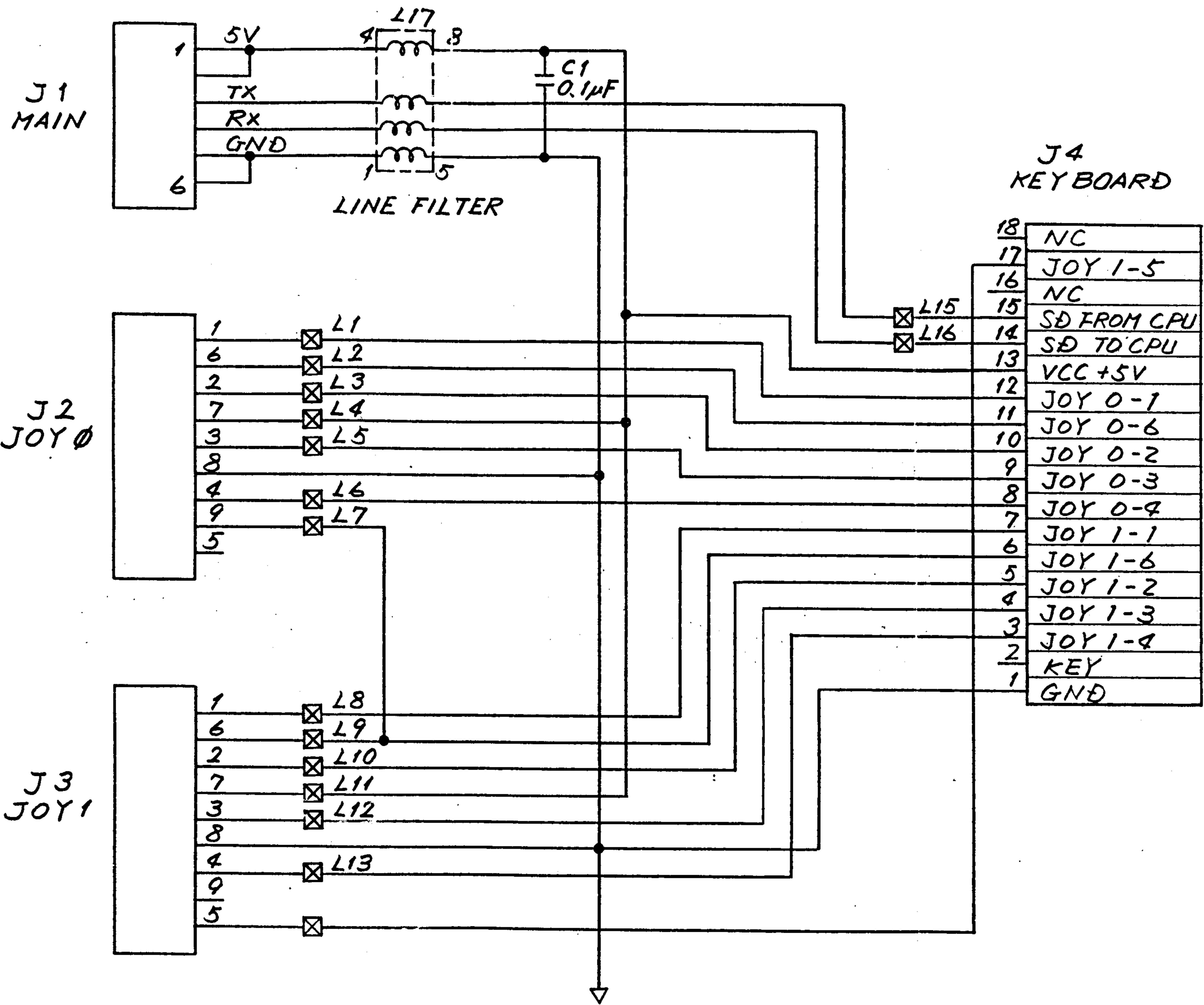


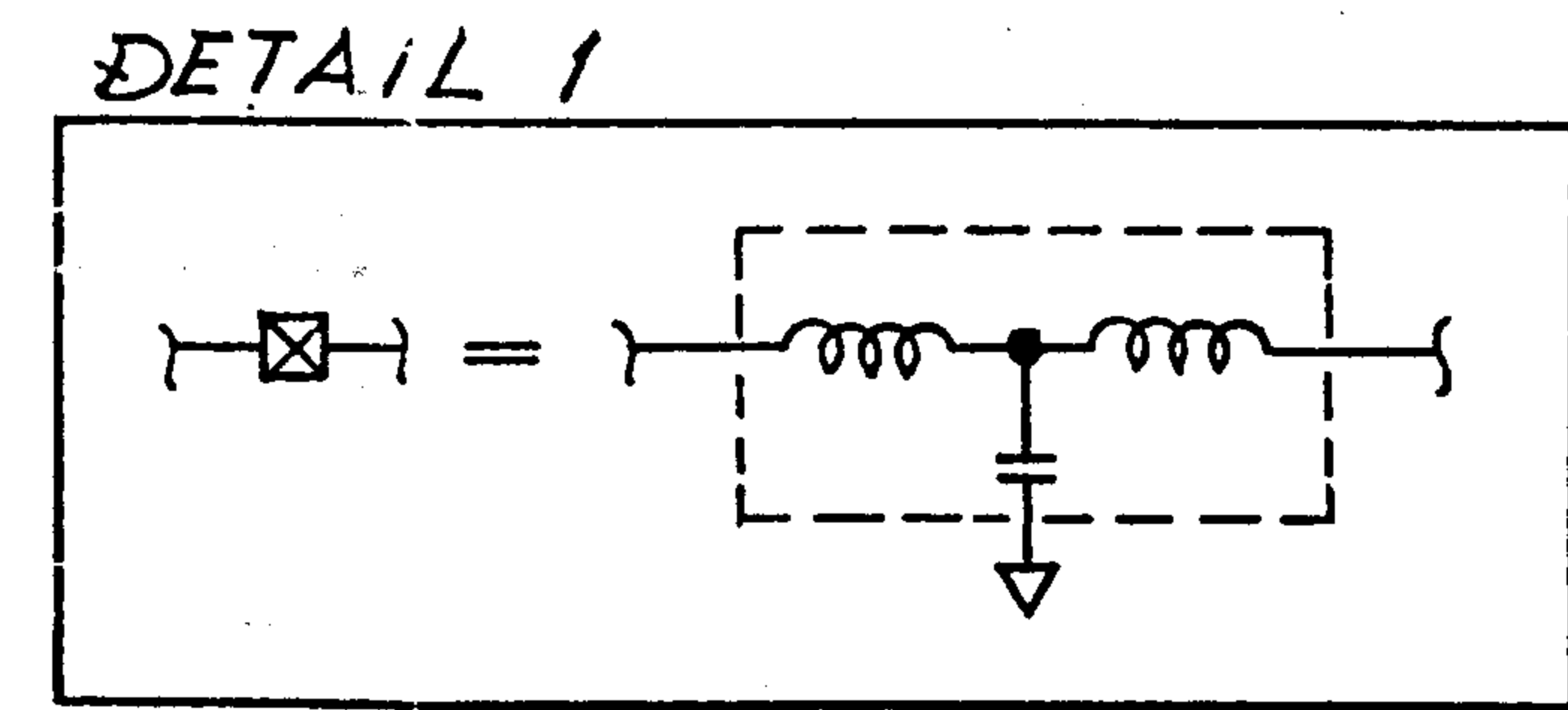
REV	REVISIONS DESCRIPTION	DATE	APPROVED
1	PRELIMINARY RELEASE	2/19/87	<i>J.H.H.</i>
2	DELETE RES. & CAP. (R1, C2)	1-9-87	
3	REVISED	2/19/87	<i>J.H.H.</i>



J4 KEYBOARD	FUNCTION
18	NC
17	JOY 1-5
16	NC
15	SD FROM CPU
14	SD TO CPU
13	VCC +5V
12	JOY 0-1
11	JOY 0-6
10	JOY 0-2
9	JOY 0-3
8	JOY 0-4
7	JOY 1-1
6	JOY 1-6
5	JOY 1-2
4	JOY 1-3
3	JOY 1-4
2	KEY
1	GND

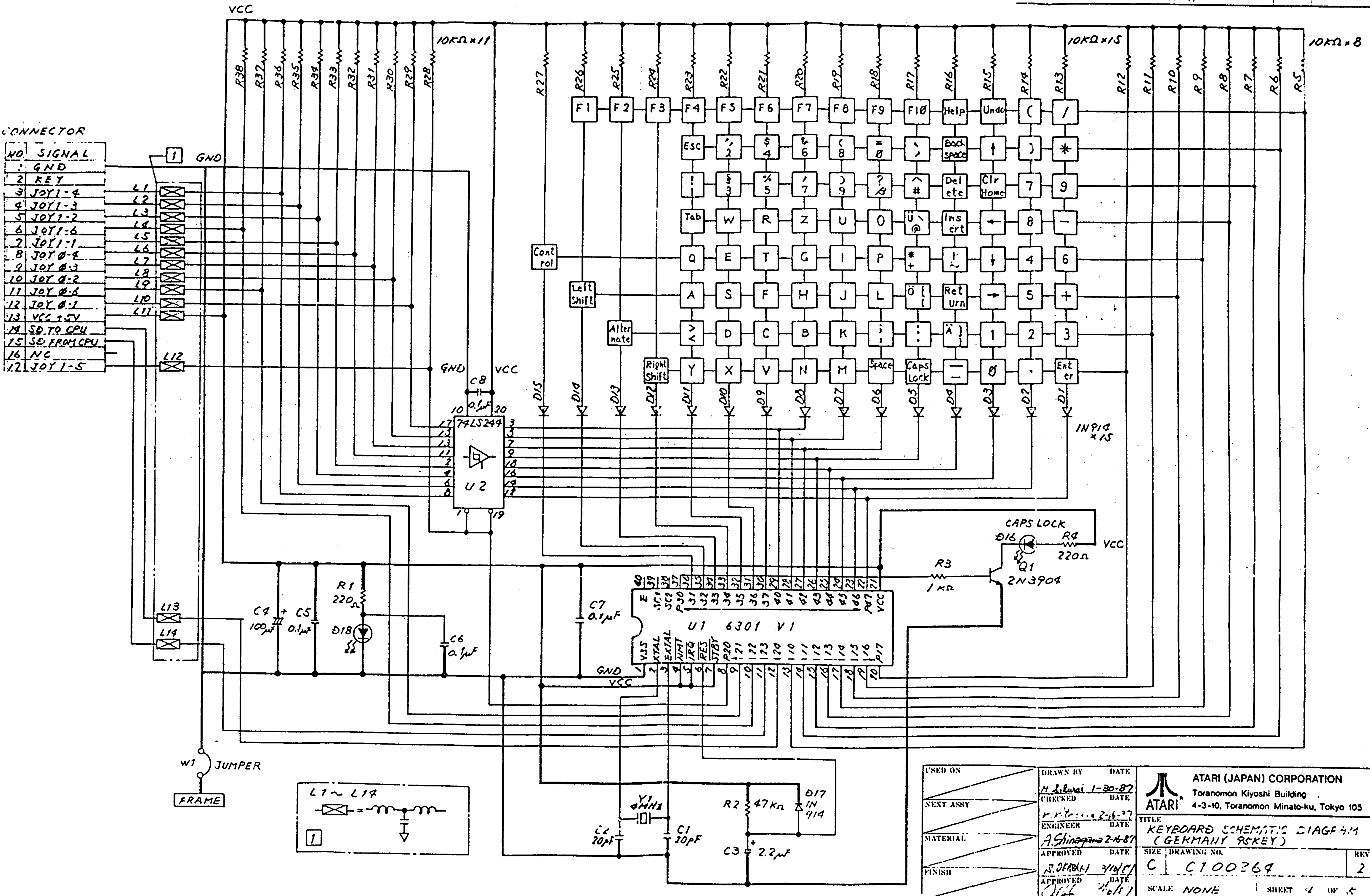
T x DATA
R x DATA
+5V
XB/UP
L BUTTON/FIRE BUTTON
XA/DOWN
YA/LEFT
YB/RIGHT
UP
R BUTTON/FIRE BUTTON
DOWN
LEFT
RIGHT
KEY
GND

REFERENCE ONLY



2. USE SUPPLIED P.C.B. C100063, REV. 1
1. NOISE FILTER: SEE DETAIL 1.
NOTES—UNLESS OTHERWISE SPECIFIED:

TOLERANCES		DRAWN BY	DATE	ATARI (JAPAN) CORPORATION	
UNDER 30	±0.1	<i>I. Yoshida</i>	10-24-86	Toranomom Kiyoshi Building 3F	
30 THRU 300	±0.2	CHECKED	DATE	4-3-10, Toranomom Minato-ku, Tokyo 105	
OVER 300	±0.4	<i>K. Kitagawa</i>	10-27-86	TITLE	
MATERIAL		ENGINEER	DATE	SCHEMATIC DIAGRAM FOR SUB P.C.B.	
		<i>A. Shinagawa</i>	2-16-87	(MEGA ST KEYBOARD)	
CA200092-XXX	MEGA ST KEYBOARD	APPROVED	DATE	SIZE	DRAWING NO.
NEXT ASSY	USED ON	<i>S. OKAZAKI</i>	2/18/87	B	C100069
APPLICATION		APPROVED	DATE	SCALE	SHEET 1 OF 1
		<i>J.H.H.</i>	2/19/87	NONE	

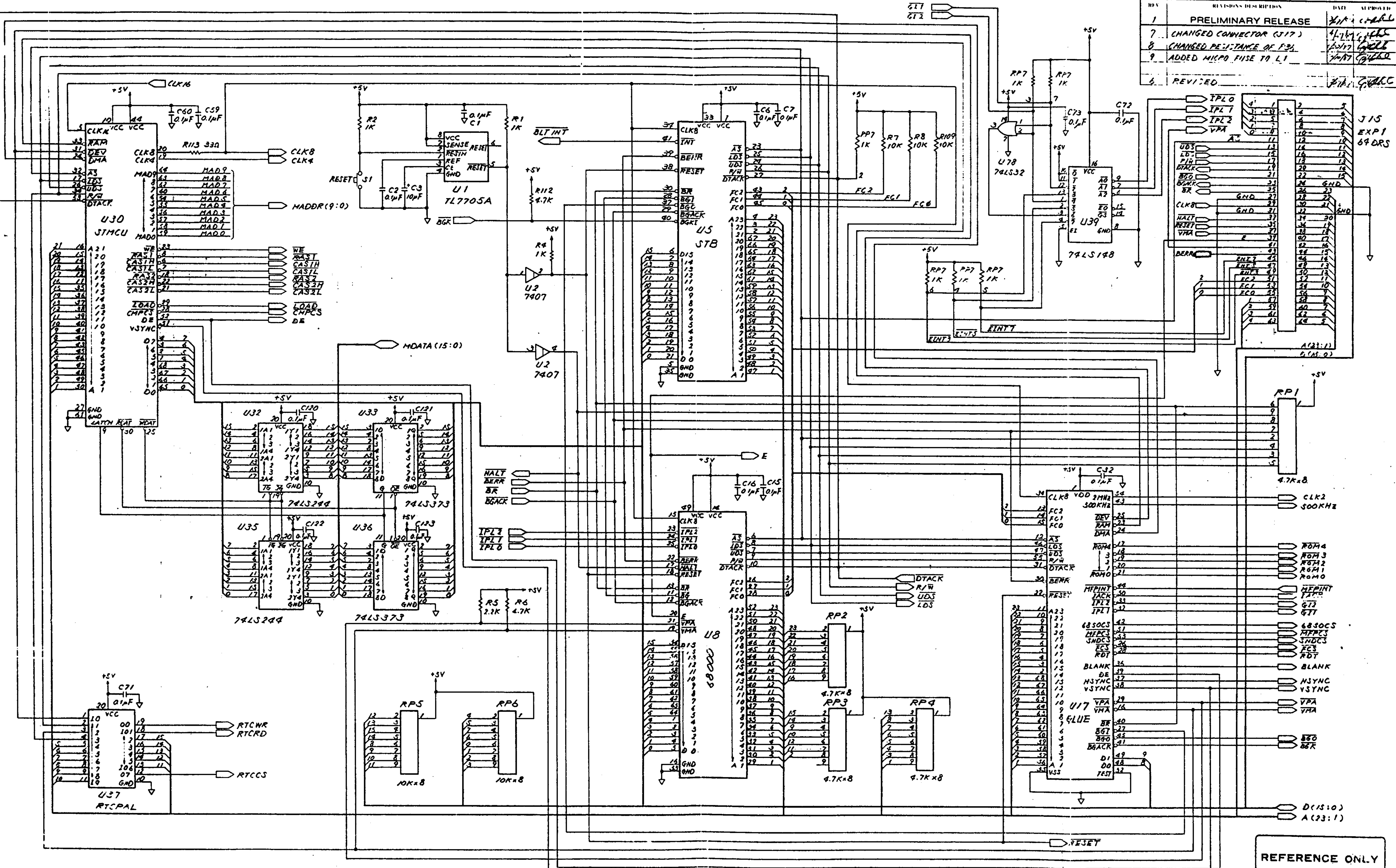


CONNECTOR

NO.	SIGNAL
1	GND
2	KEY
3	JOY1-4
4	JOY1-3
5	JOY1-2
6	JOY1-6
7	JOY1-1
8	JOY0-4
9	JOY0-3
10	JOY0-2
11	JOY0-6
12	JOY0-1
13	VCC +5V
14	SD TO CPU
15	SD FROM CPU
16	NC
17	JOY1-5

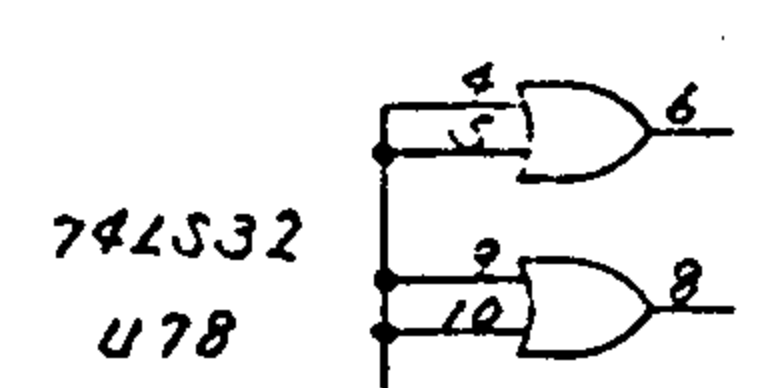
USED ON NEXT ASSY MATERIAL FINISH	DRAWN BY: H. Shibata CHECKED: K. S. ... ENGINEER: A. Shinagawa APPROVED: J. OFABAI DATE: 1-30-87 DATE: 2-16-87 DATE: 2/14/87 DATE: 2/16/87	DATE: 1-30-87 DATE: 2-16-87 DATE: 2/14/87 DATE: 2/16/87	ATARI (JAPAN) CORPORATION Toranomon Kiyoshi Building 4-3-10, Toranomon Minato-ku, Tokyo 105 TITLE: KEYBOARD SCHEMATIC DIAGRAM (GERMANY 95KEY) SIZE: DRAWING NO. C100264 REV: 2 SCALE: NONE SHEET 1 OF 5
--	---	--	--

REV	REVISION DESCRIPTION	DATE	APPROVED
1	PRELIMINARY RELEASE	4/17/86	Y. IMAI
7	CHANGED CONNECTOR (J17)	4/21/86	Y. IMAI
8	CHANGED RESISTANCE OF R34	4/21/86	Y. IMAI
9	ADDED MICRO FUSE TO L1	4/21/86	Y. IMAI
6	REVISED	4/11/86	Y. IMAI

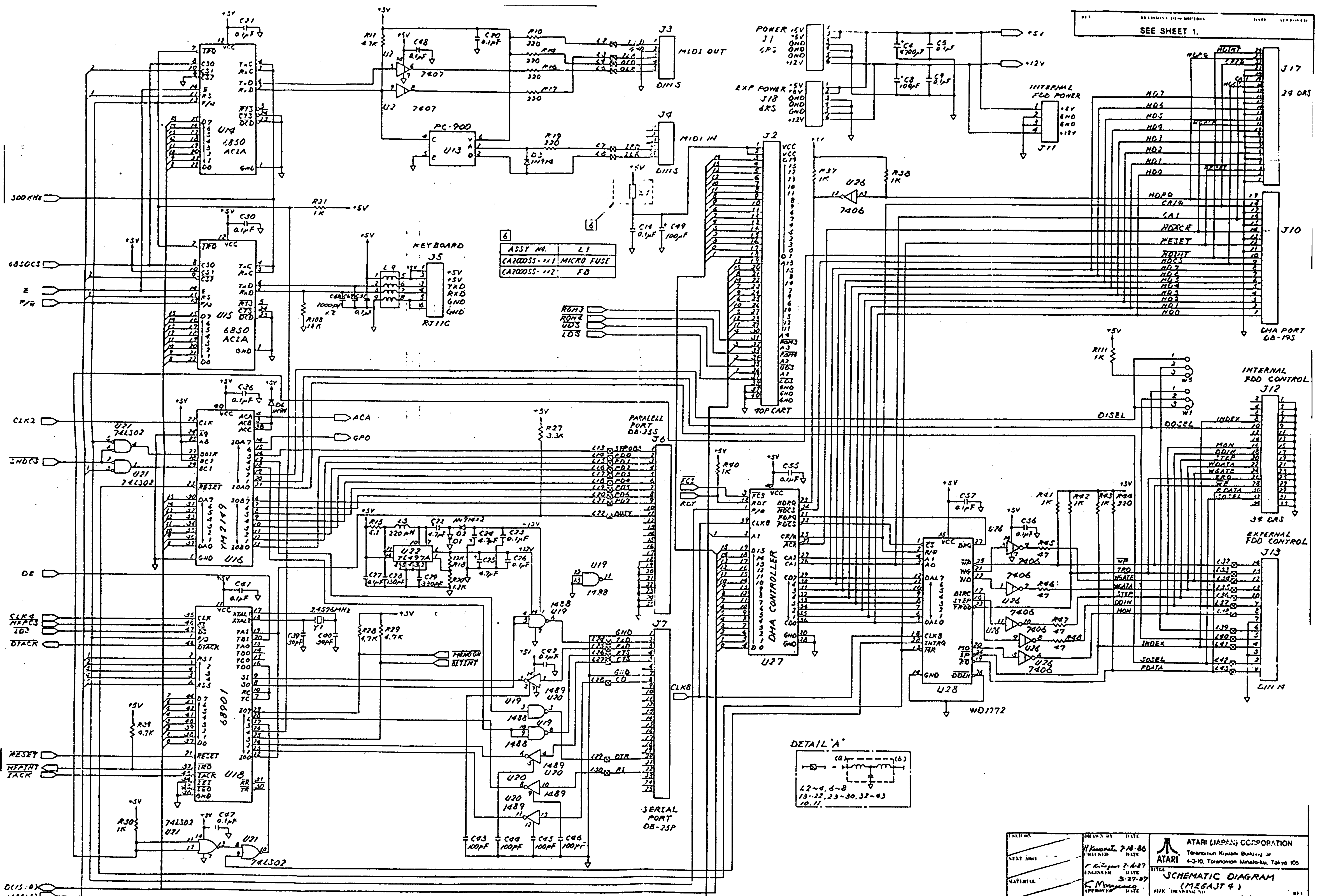


- ROM TABLE; SEE SHEET 5 OF 6
- NOT REQUIRED FOR ASST NO. CA2000SS-XX1.
- PUT JUMPER WIRE FROM (A) TO (B) (IN DETAIL A' L2~4, 6~8, 13~22, 24~30, 32~43) ASST NO. CA2000SS-1A2
- NOISE FILTER: SEE DETAIL 1

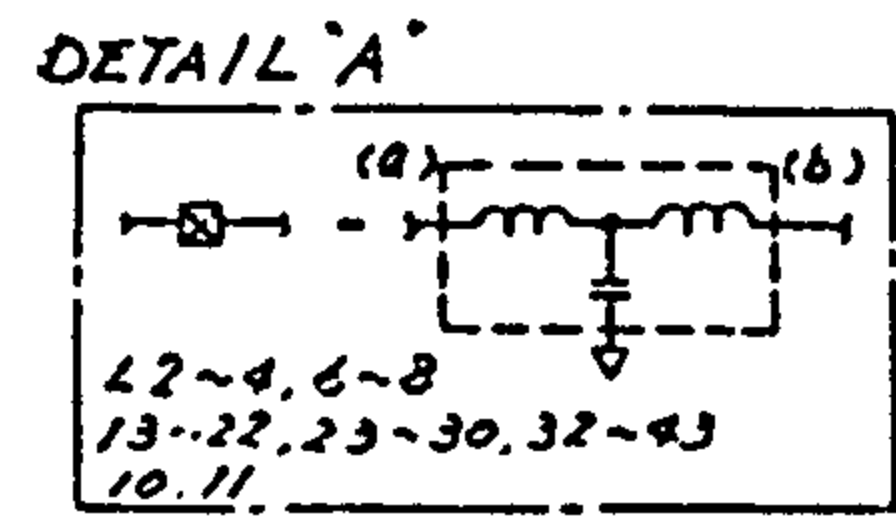
REFERENCE ONLY

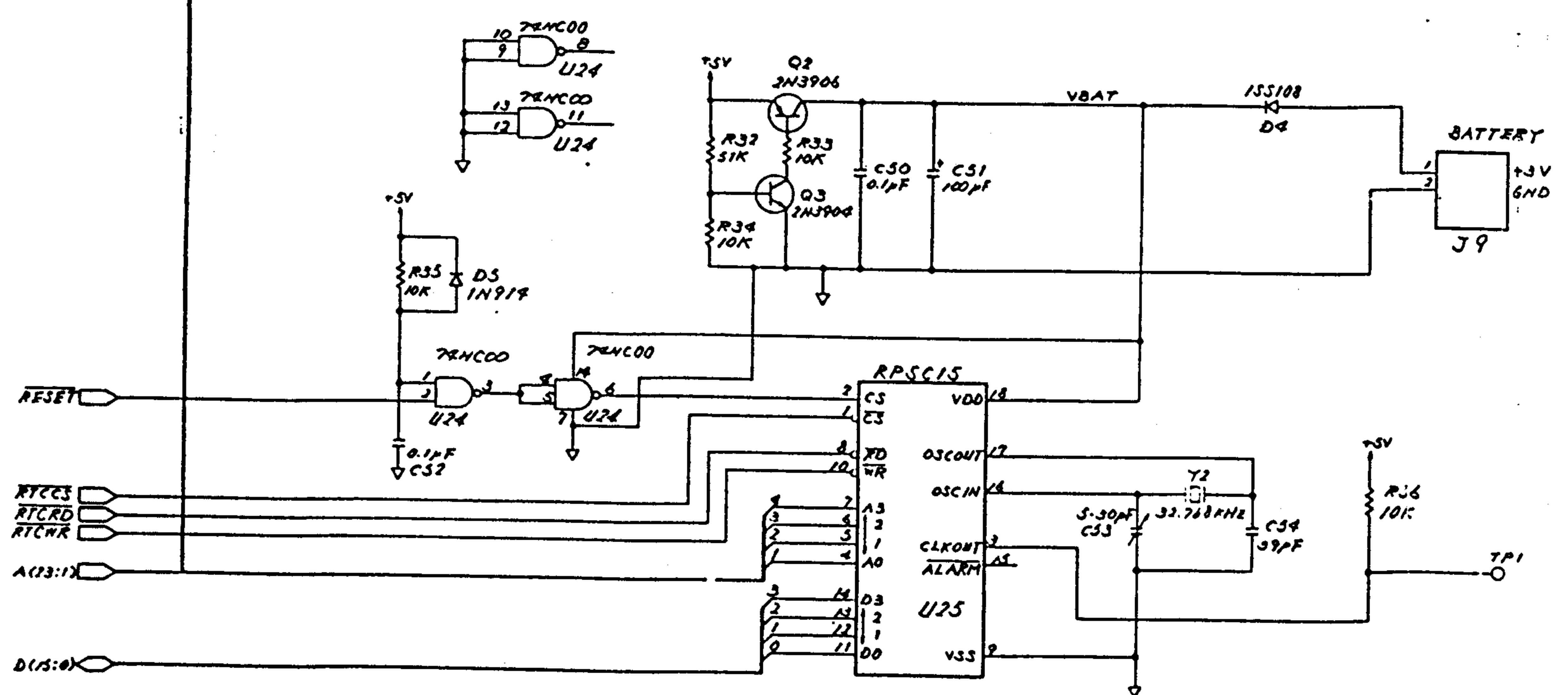
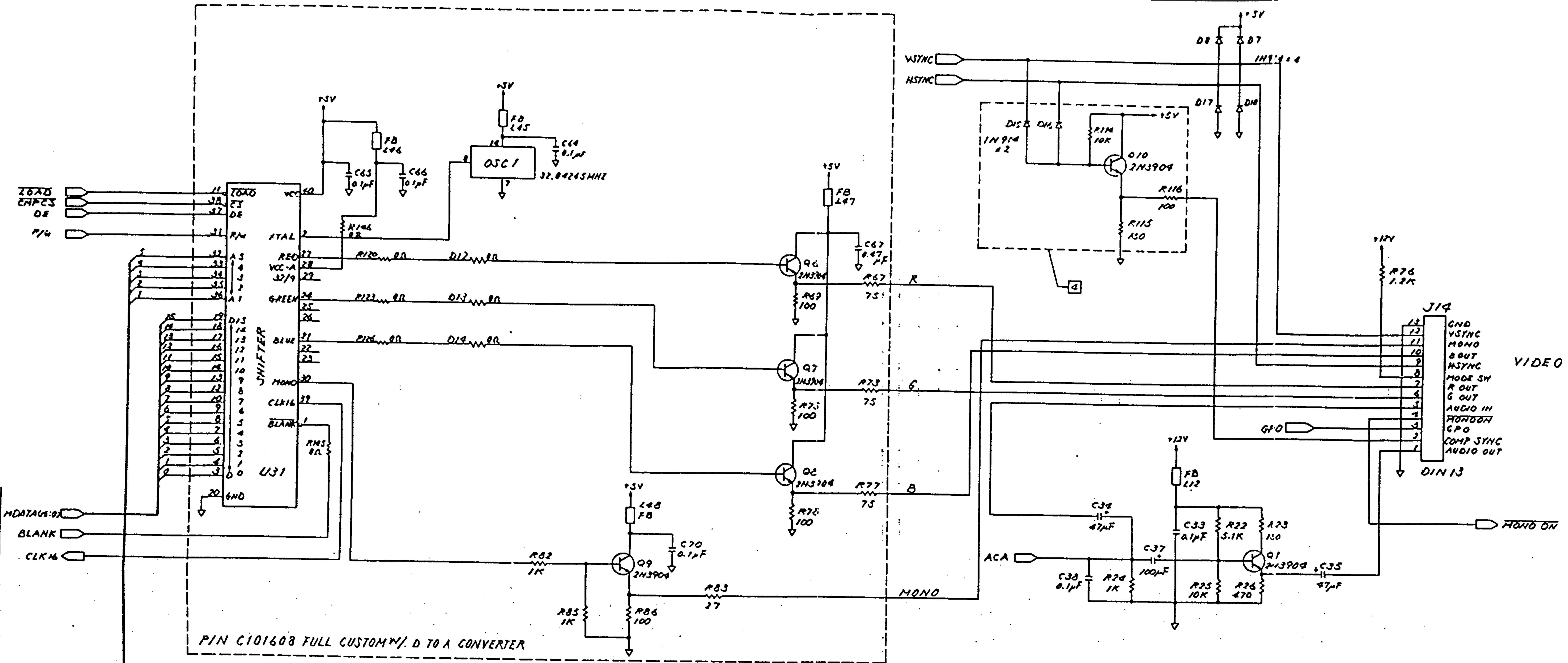


DESIGNED BY MEGA ST 4 NEXT ASSY CA2000SS-XX1 MATERIAL	DRAWN BY H. Kawano DATE 7-13-86 CHECKED DATE 3-27-87 ENGINEER K. A. ...	ATARI (JAPAN) CORPORATION Torayman Kiyoshi Building 3F 4-3-10, Torayman Minato-ku, Tokyo 105 ATARI SCHEMATIC DIAGRAM (MEGA ST 4)
---	---	--



ASSY NO.	L1
CA20055-#1	MICRO FUSE
CA20055-#2	FB

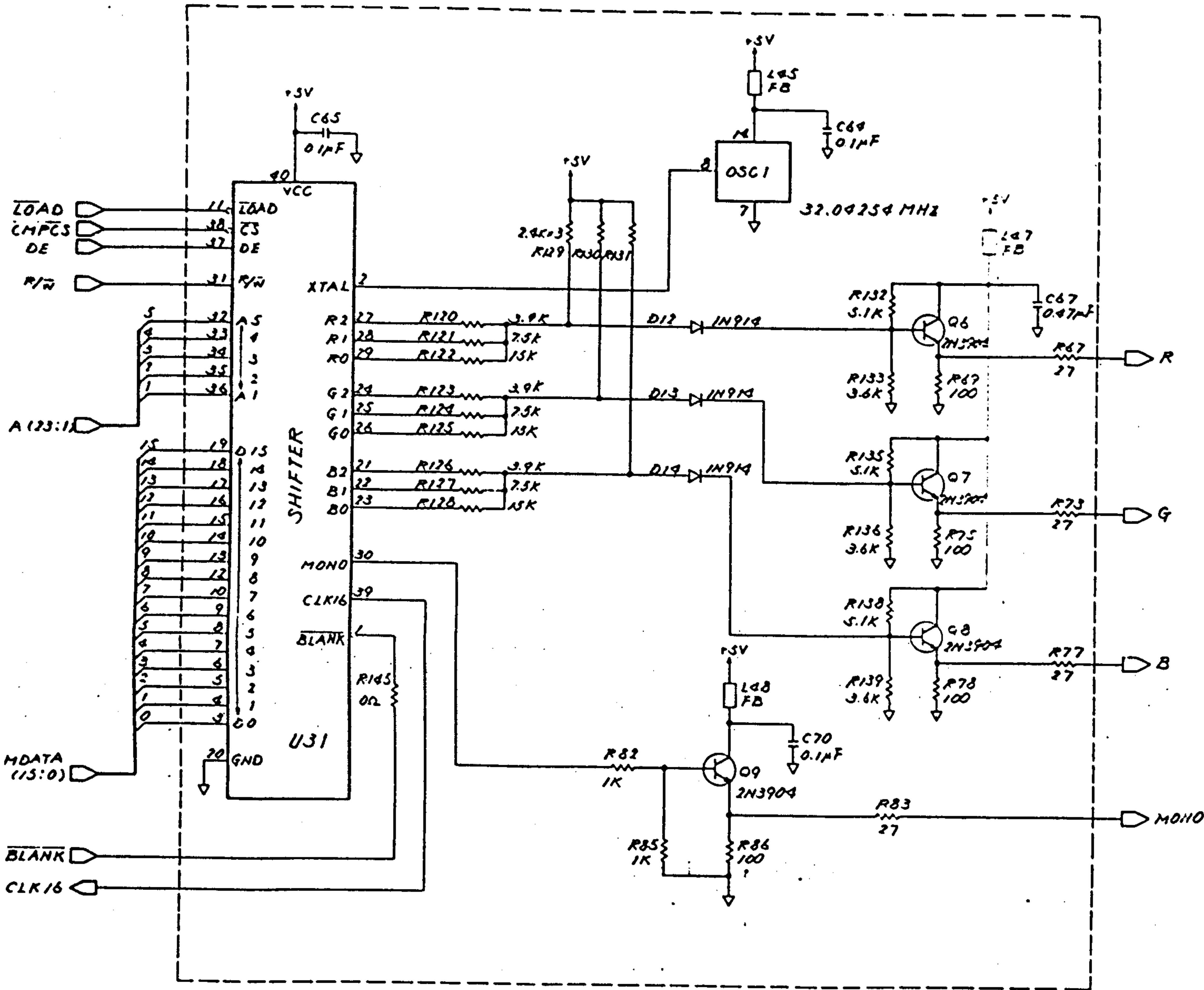




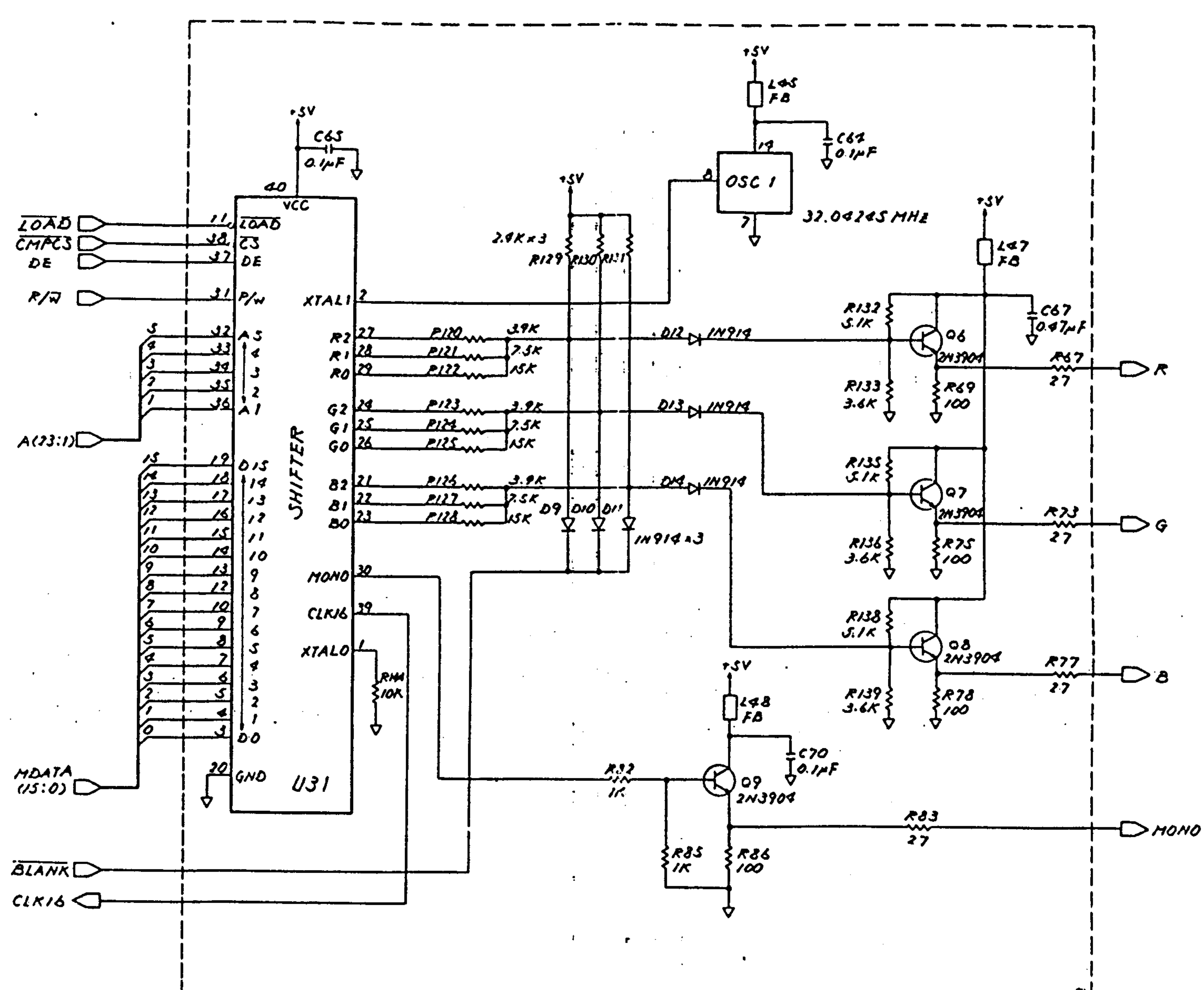
REV 001 REVISIONS NEW REVISIONS DATE APPROVAL
SEE SHEET 1.

DESIGNED BY	DRAWN BY	DATE	ATARI (JAPAN) CORPORATION Toranomon Kyoshi Bldg. 2F 4-3-10, Toranomon Minato-Ku, Tokyo (C)	TITLE	SCHMATIC DIAGRAM (MEGAST. 9) REV D C100166
CHECKED	ENGINEER	DATE		REV	
NEXT ASMT	APPROVED	DATE	DATE	9	
MATERIAL	APPROVAL	DATE	DATE	9	
FINISH	APPROVAL	DATE	DATE	9	

SCALE NONE SHEET 3 OF 6

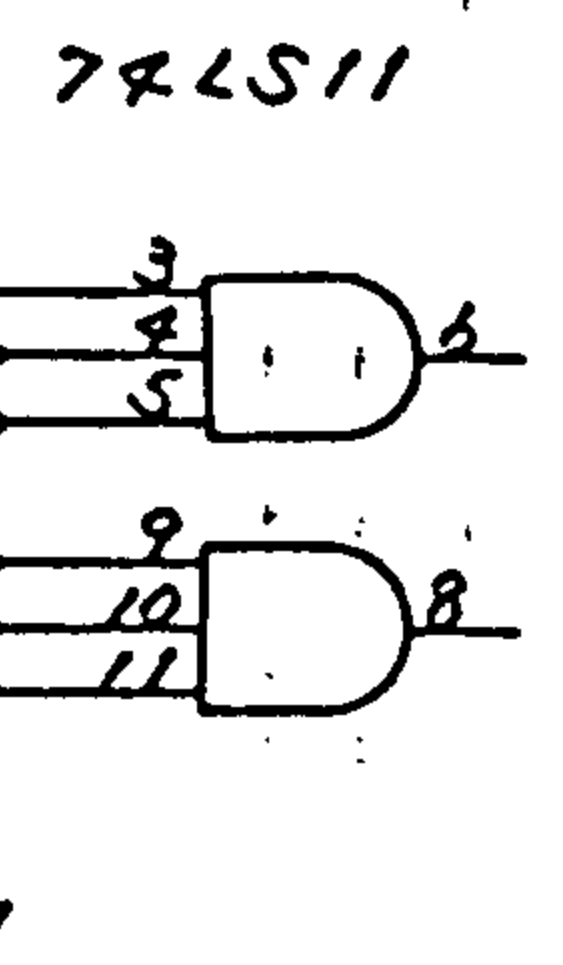
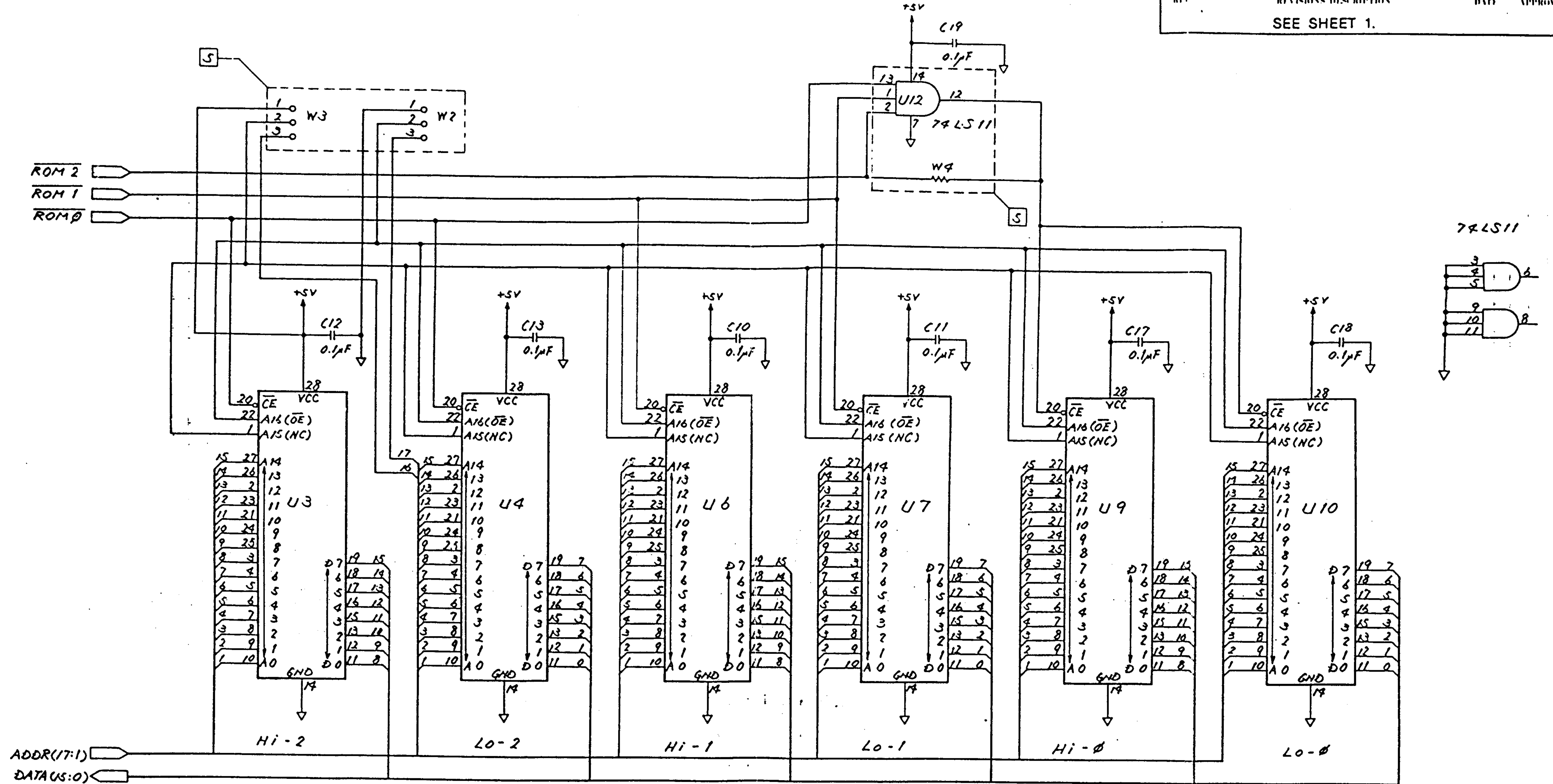


PIN C07073 FULL CUSTOM W/O D TO A CONVERTER



PIN C025914 GATE ARRAY W/O D TO A CONVERTER

USED ON	DRAWN BY H. Kawamura 3-5-87	DATE	3-5-87	ATARI (JAPAN) CORPORATION Toranomon Kyosho Building 3F 4-3-10, Toranomon Minato-ku, Tokyo 105
NEXT ASMT	CHECKED K. K. K. 3-11-87	DATE	3-11-87	
MATERIAL	ENGINEER K. K. K.	DATE	3-27-87	TITLE SCHEMATIC DIAGRAM (MEGAST 4)
FINISH	APPROVED P. O. K. 3-27-87	DATE	3-27-87	SIZE D C100166
				REV 9
				SCALE NONE
				SHEET 4 OF 6

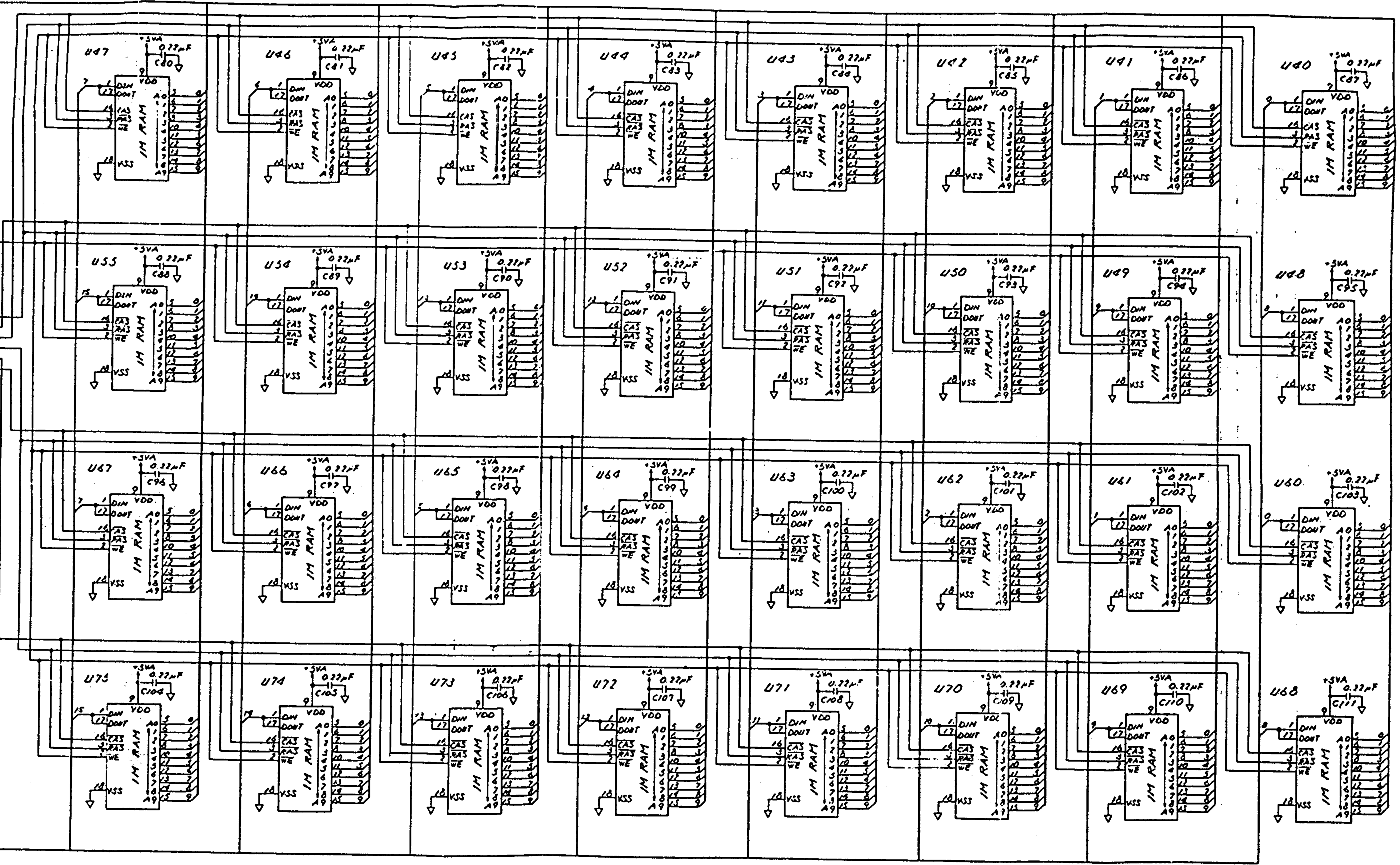
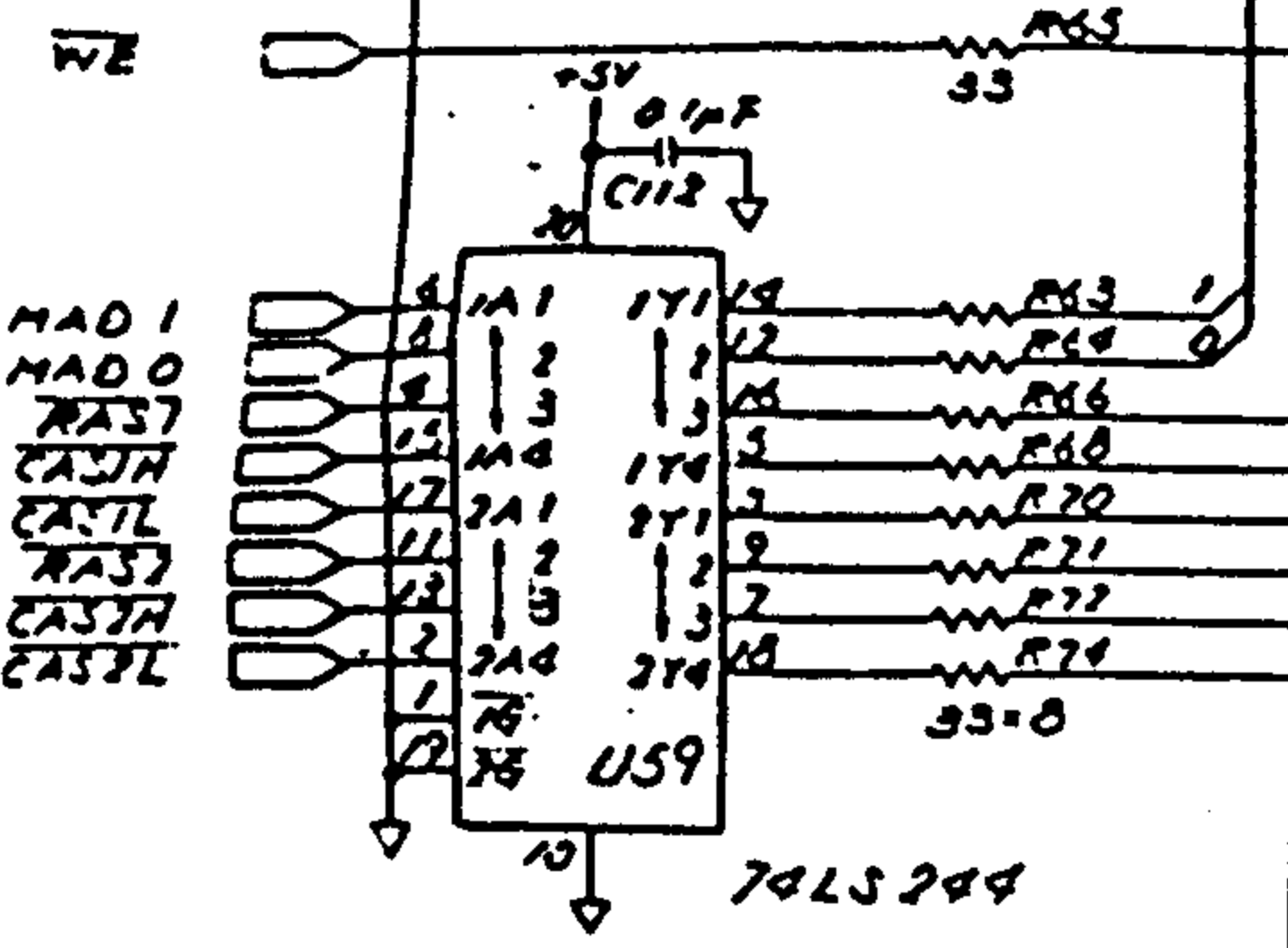
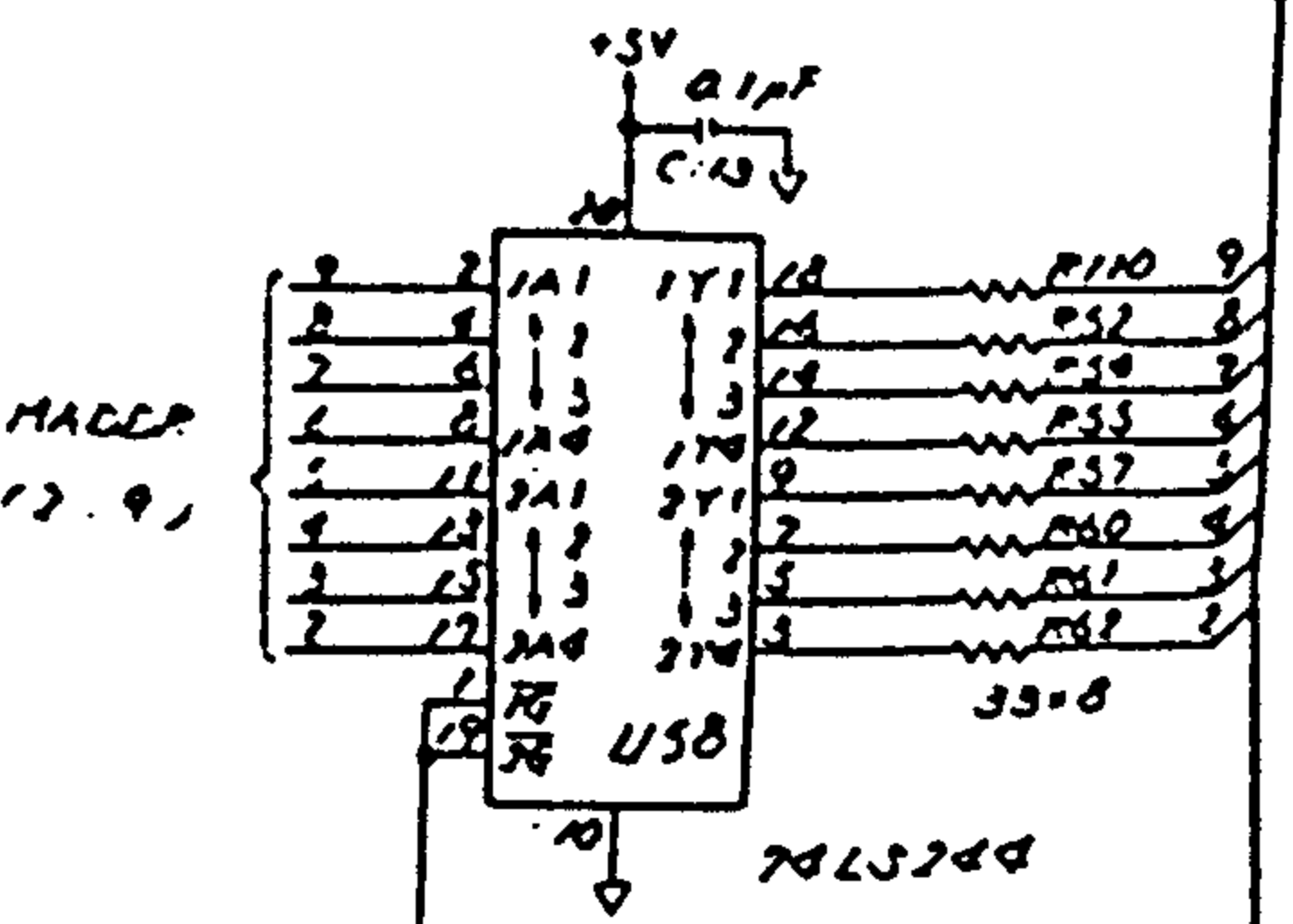
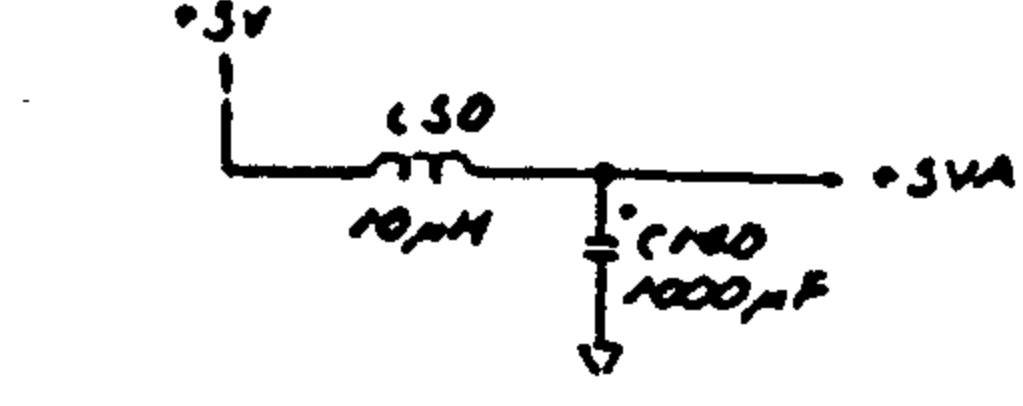


ROM TABLE

IC ; U12 (74LS11)
 JUMPER ; W2, W3, W4

ROM	LOCATION			
	W2	W3	W4	U12
256K	1-2	1-2	JUMPER	NO USE
1M x 2	2-3	2-3	NON	USE
1M x 6	2-3	2-3	JUMPER	NO USE

USED ON	DRAWN BY N. Yamamoto 11-2286	DATE 11-22-86	ATARI (JAPAN) CORPORATION Toranomon Kiyoshi Building 3F 4-3-10, Toranomon Minato-ku, Tokyo 105
SENT ASSY	CHECKED	DATE	
MATERIAL	ENGINEER K. Kitagawa 2-16-87	DATE 3-27-87	TITLE SCHEMATIC DIAGRAM (MEGAST 9)
FINISH	APPROVED S. OKAZAKI 3/27/87	DATE 3/27/87	SIZE DRAWING NO. REV C C100166 9
SCALE NONE			SHEET 5 OF 6



DESIGN	DATE	ATARI (JAPAN) CORPORATION Toranomon Kyosho Building 3F 4-3-10, Toranomon Minato-ku, Tokyo 105
DRAWN BY	DATE	
CHECKED	DATE	SCHEMATIC DIAGRAM (MEGAST 4) PART NO. C100166 SHEET 6 OF 6
APPROVED	DATE	
MATERIAL	DATE	
FINISH	DATE	