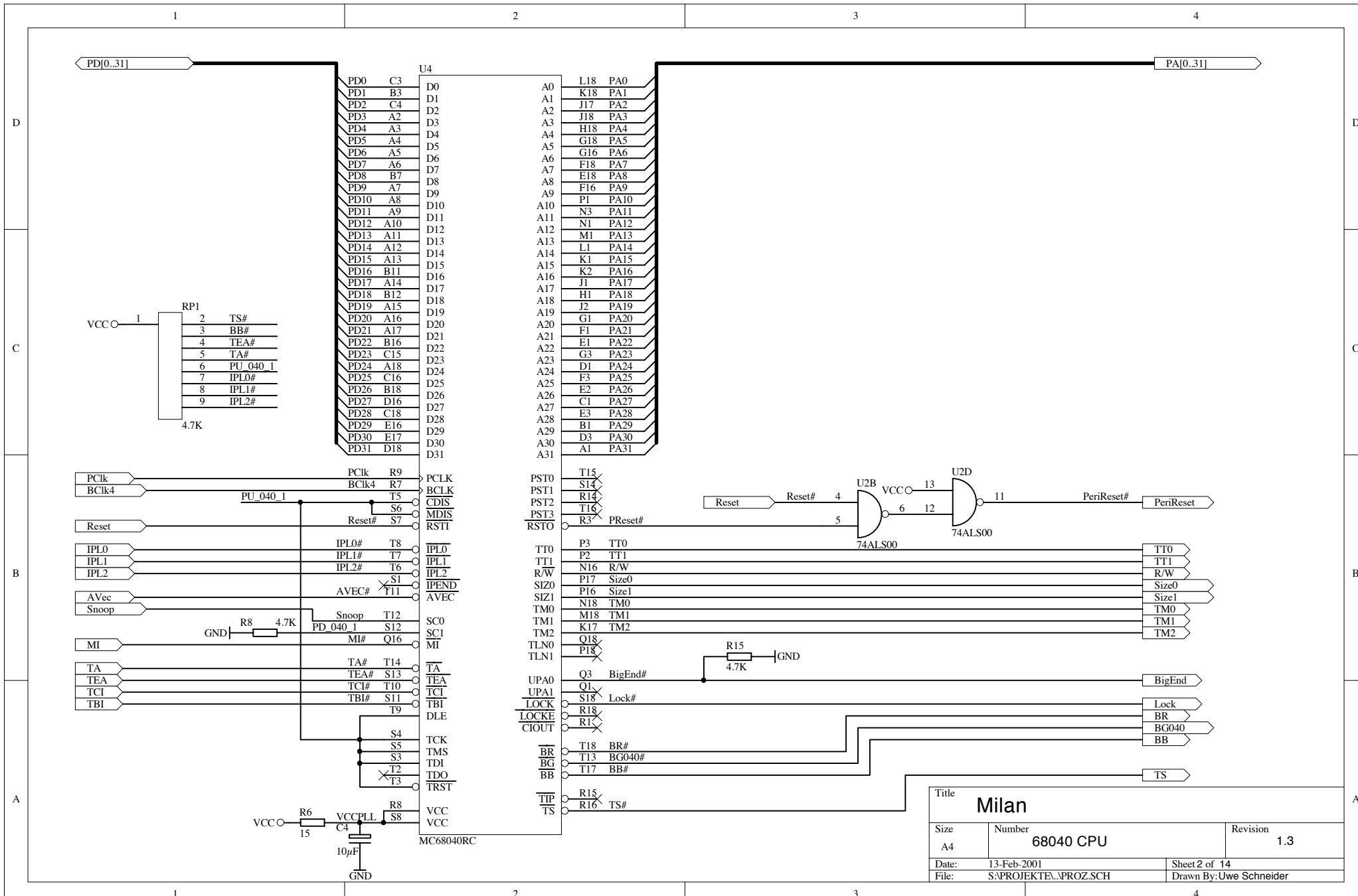
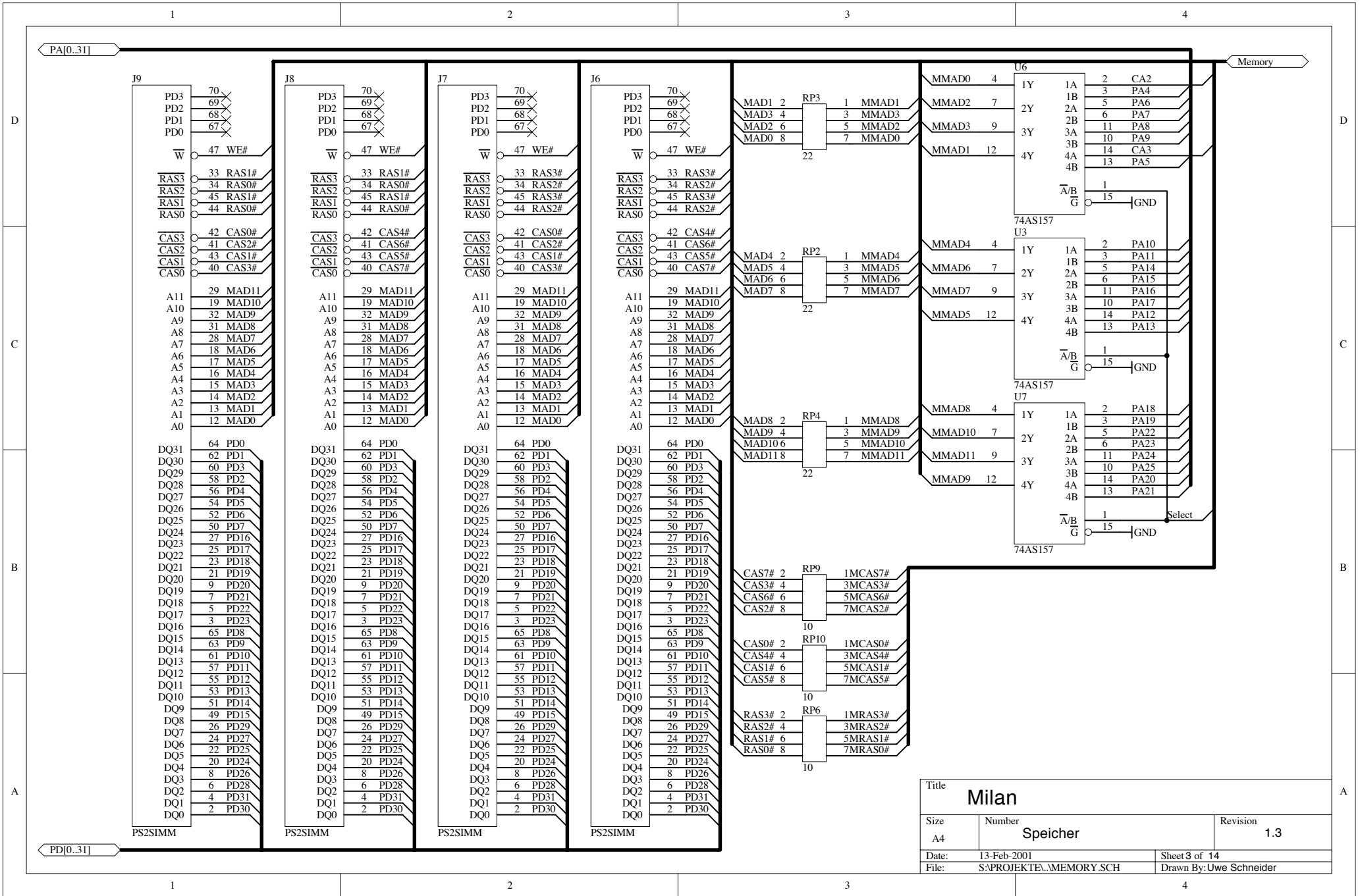


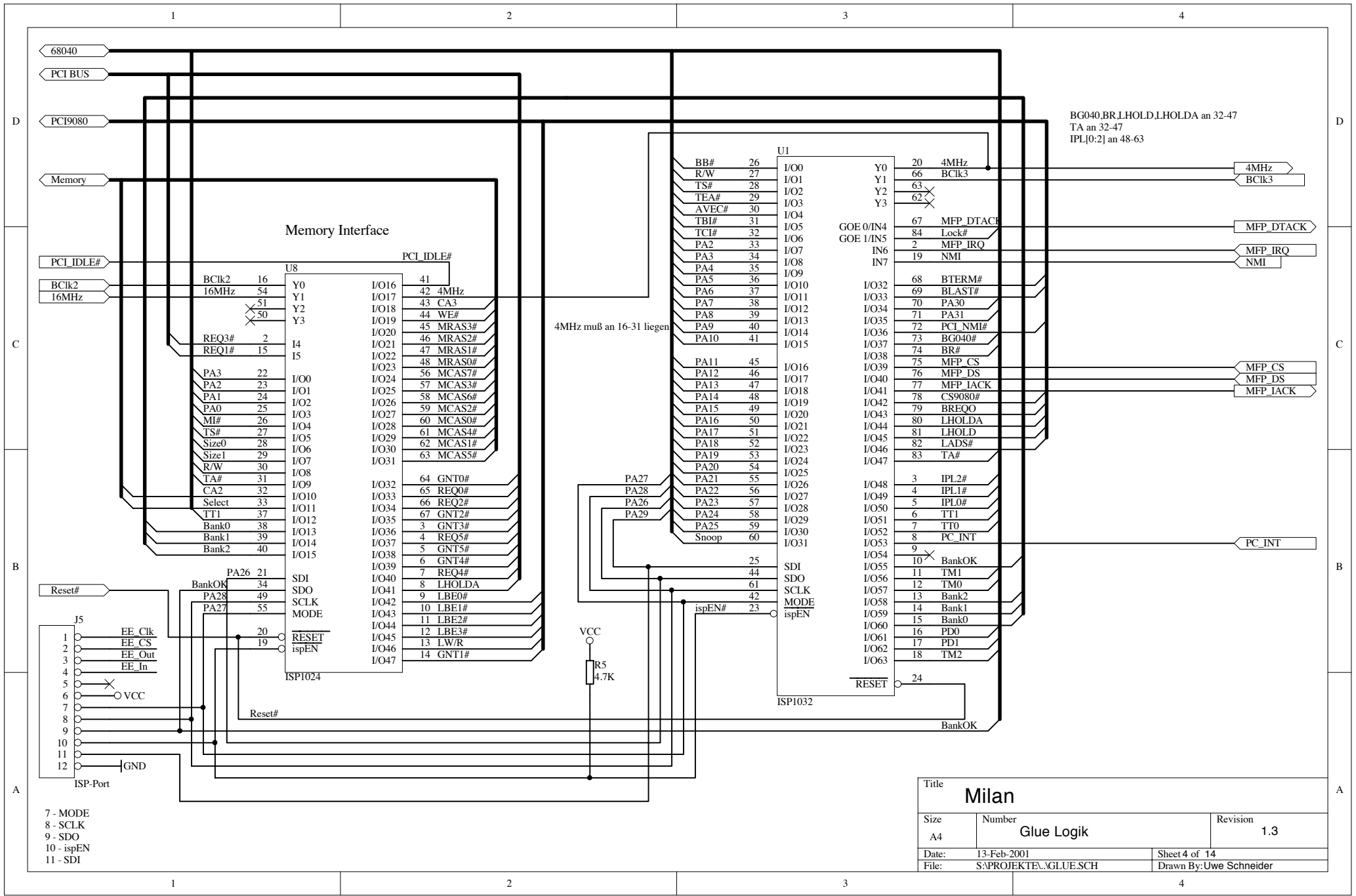
Title			Milan		
Size	Number	Revision		1.3	
A4	Titelseite				
Date:	13-Feb-2001	Sheet 1 of 14			
File:	S:\PROJEKTE\MILAN.PRJ	Drawn By: Uwe Schneider			



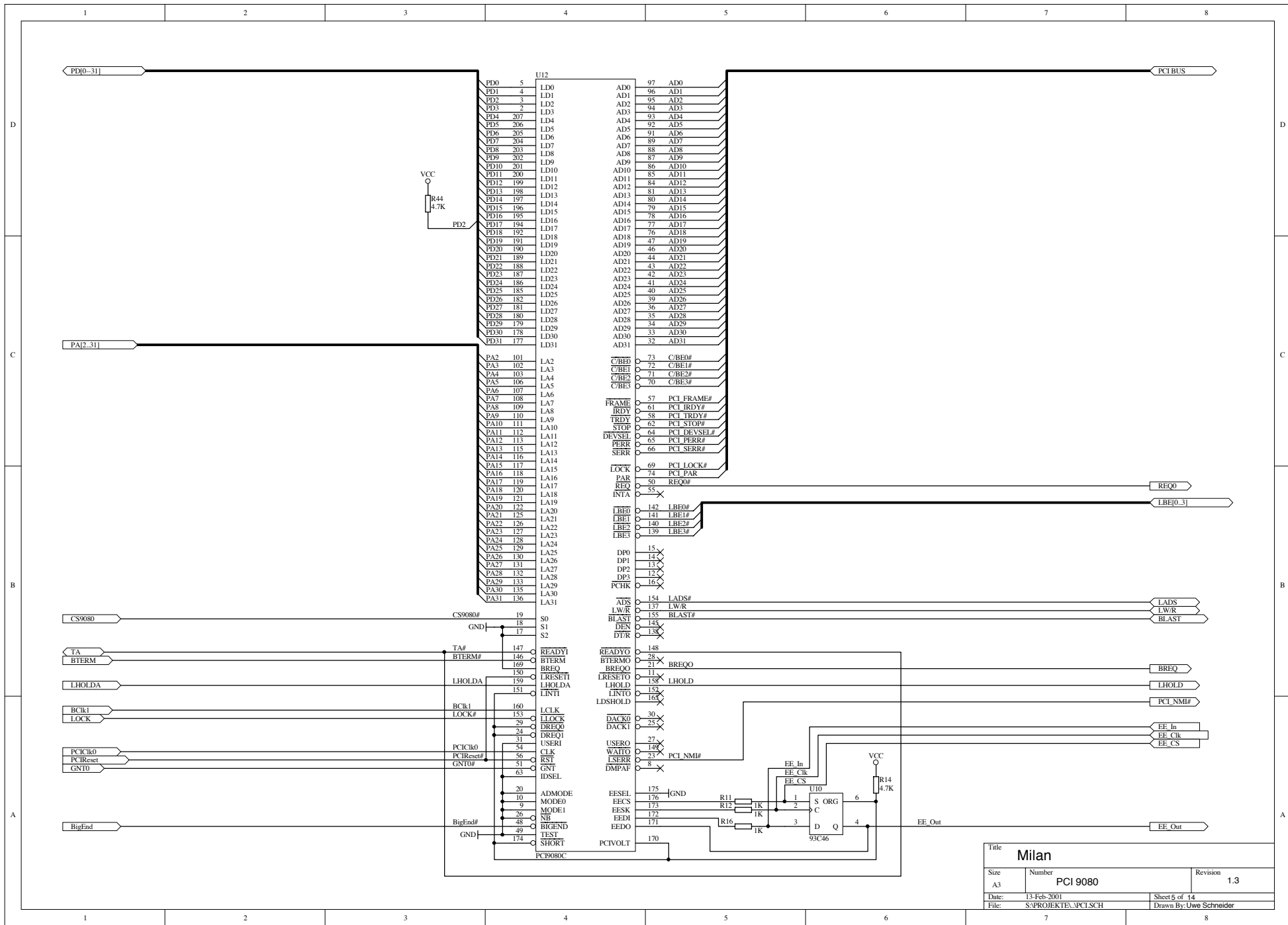
Title Milan		
Size A4	Number 68040 CPU	Revision 1.3
Date: 13-Feb-2001	Sheet 2 of 14	
File: S:\PROJEKTE\..PROZ.SCH	Drawn By: Uwe Schneider	

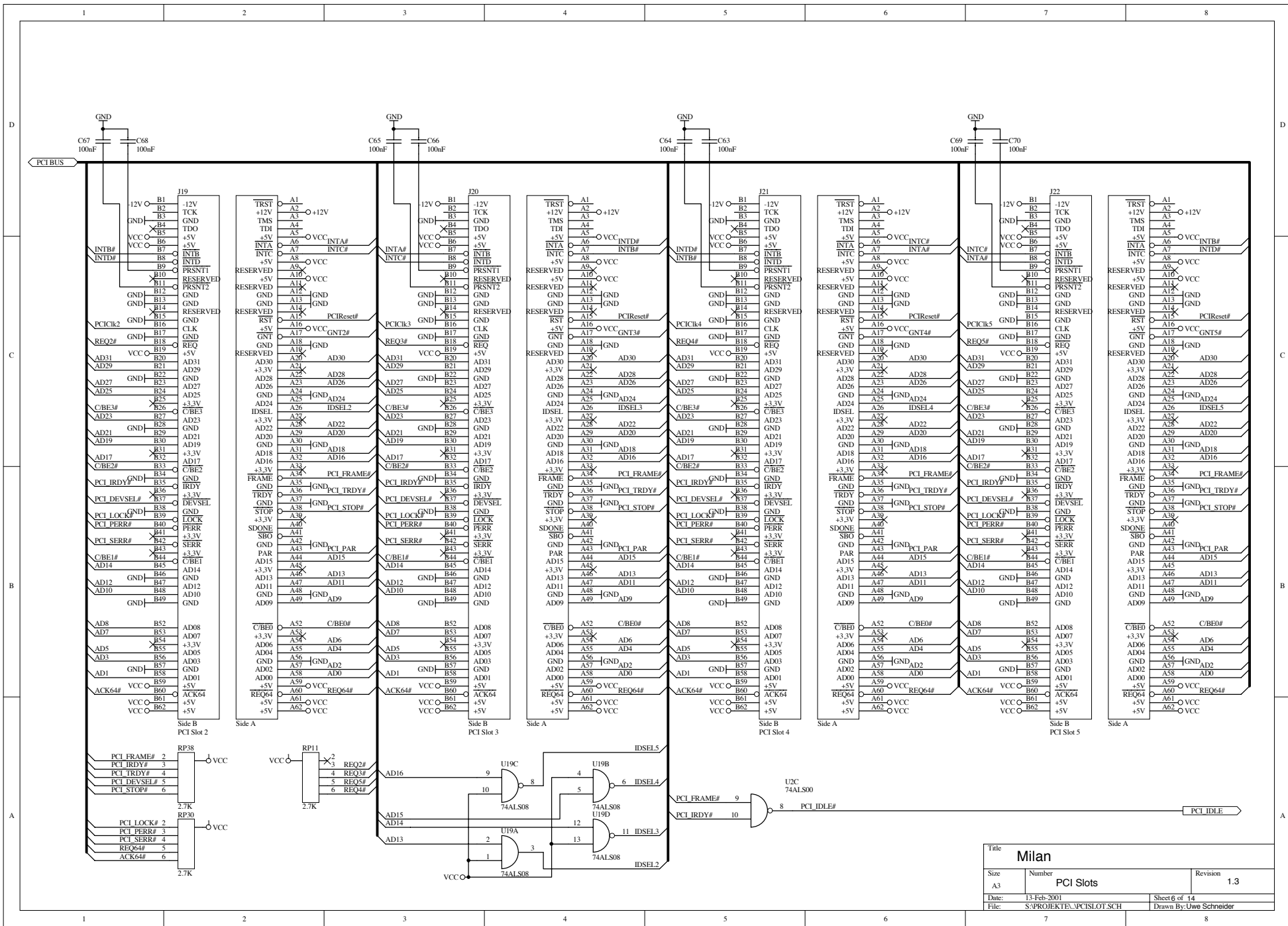


Title Milan		
Size A4	Number Speicher	Revision 1.3
Date: 13-Feb-2001	Sheet 3 of 14	
File: S:\PROJEKTE\..MEMORY.SCH	Drawn By: Uwe Schneider	

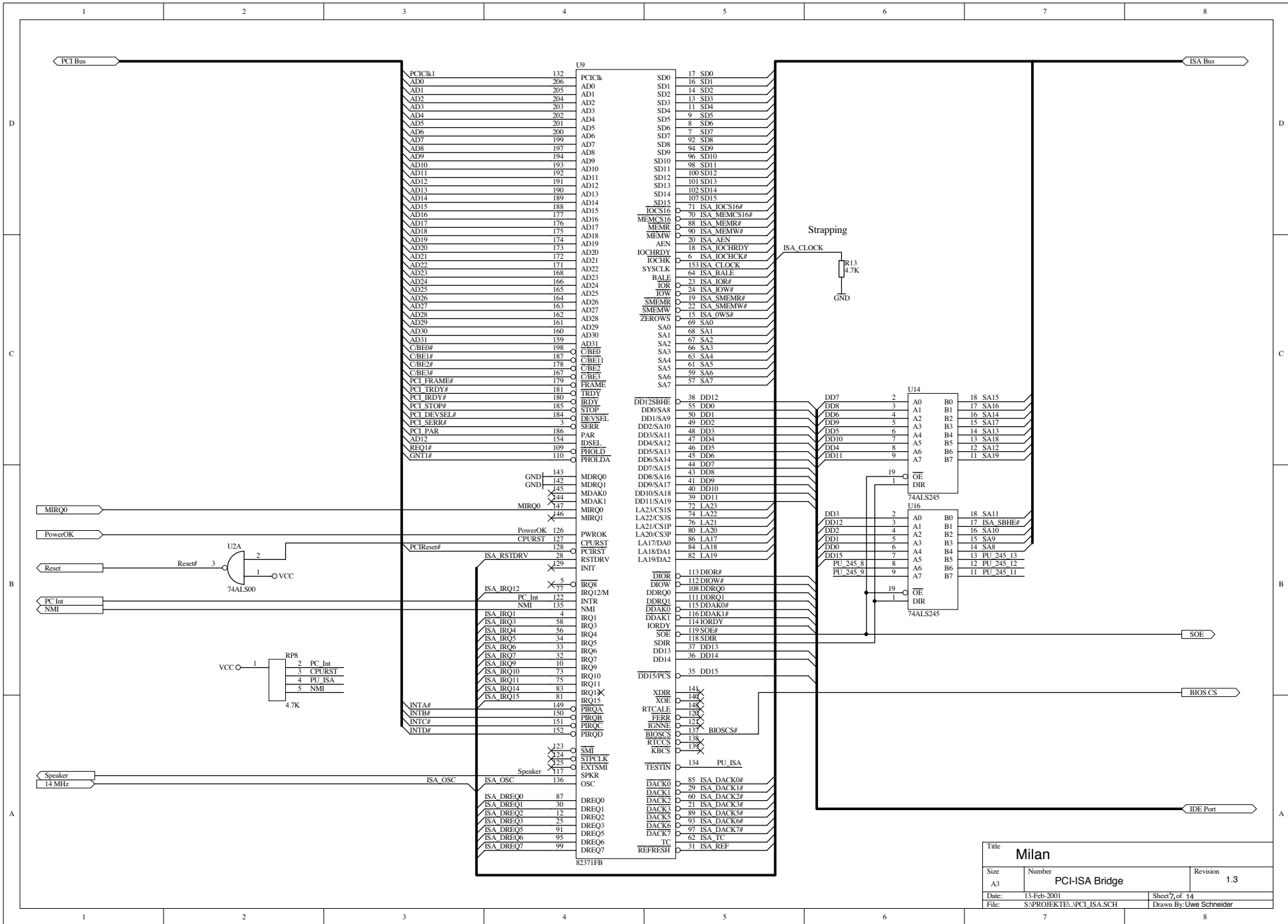


Title Milan		
Size A4	Number Glue Logik	Revision 1.3
Date: 13-Feb-2001	Sheet 4 of 14	
File: S:\PROJEKTE\..GLUE.SCH	Drawn By: Uwe Schneider	

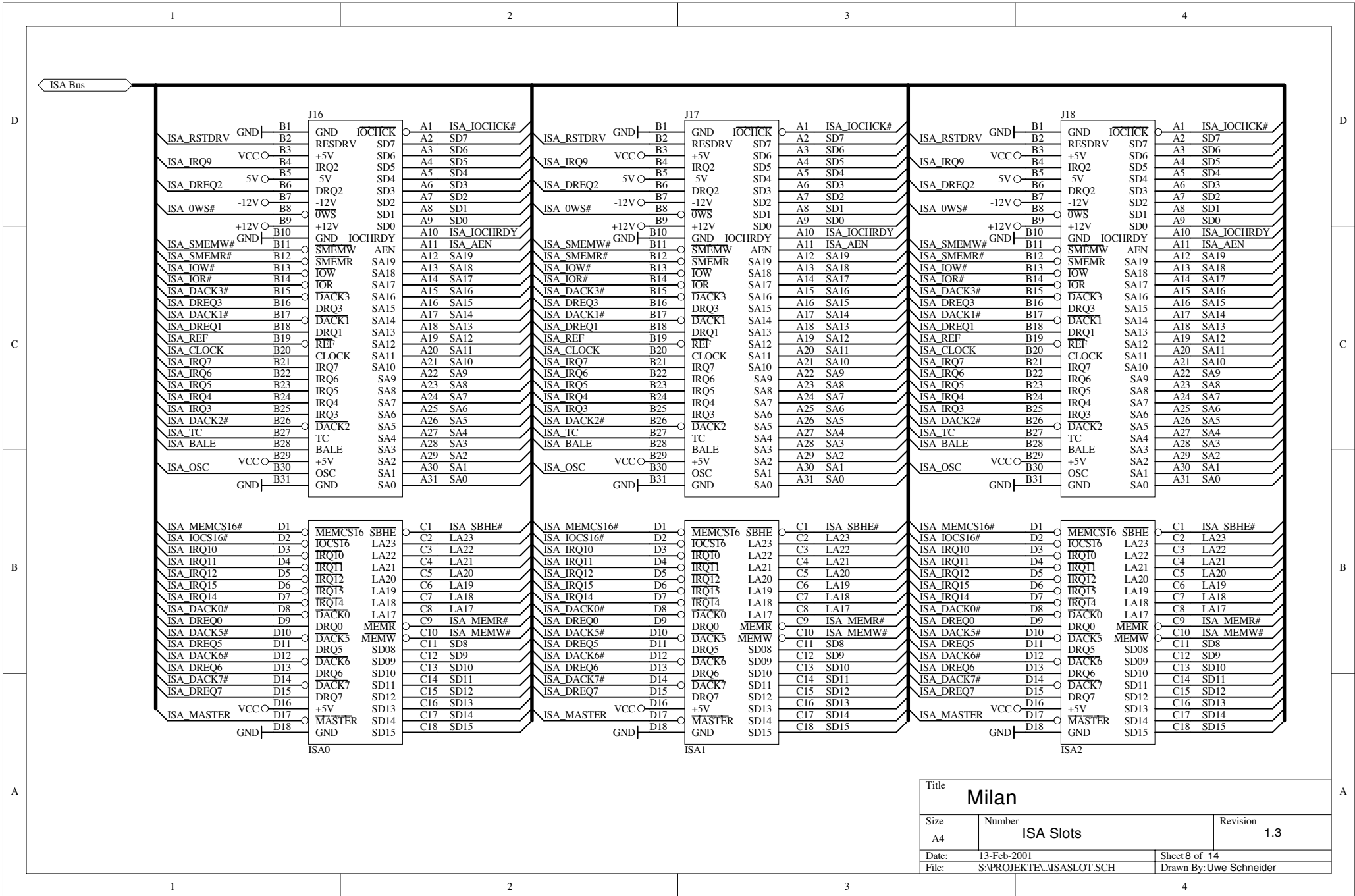




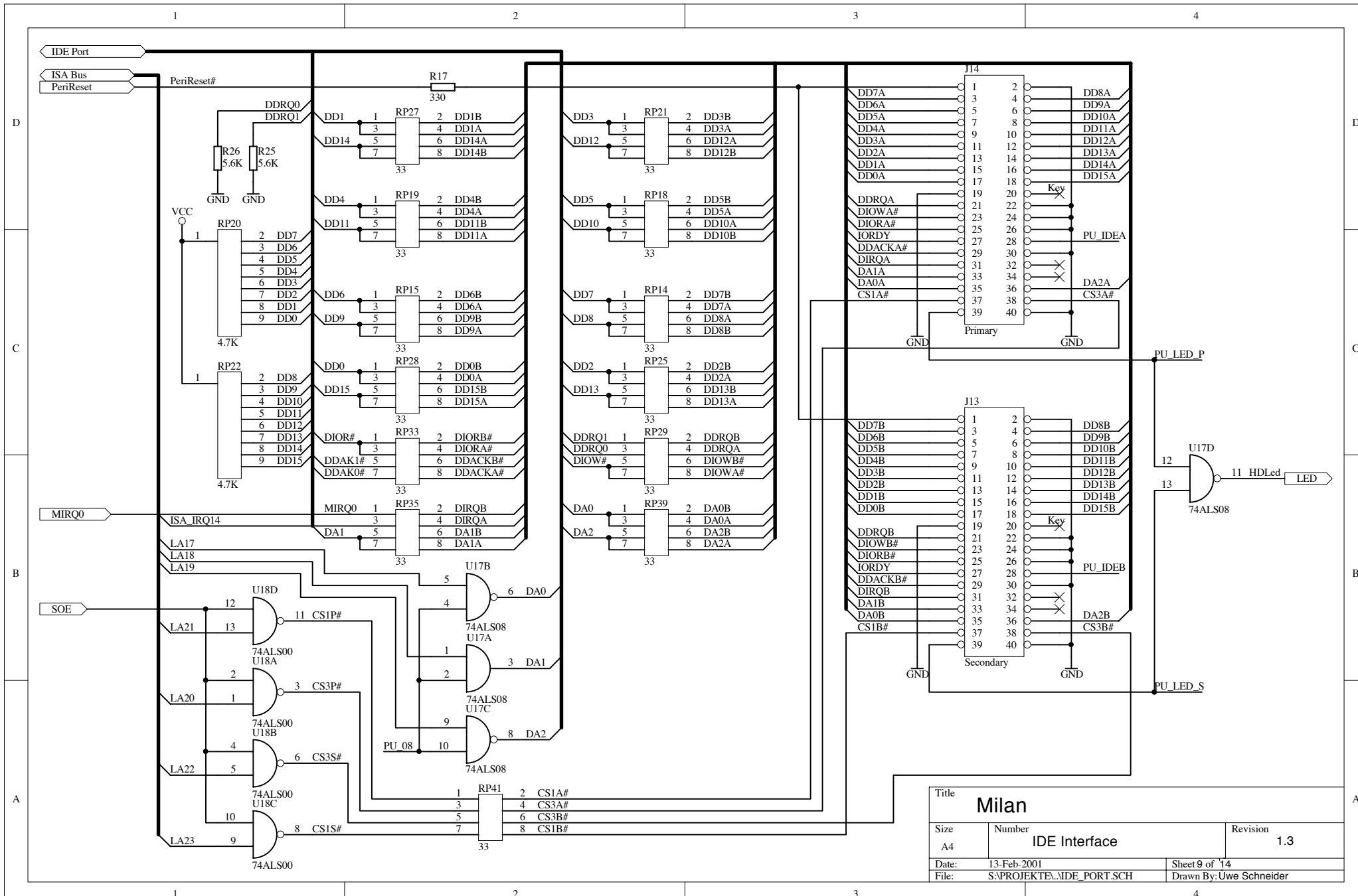
Title		Milan	
Size	Number	Revision	1.3
A3	PCI Slots		
Date:	13-Feb-2001	Sheet 6 of 14	
File:	S:\PROJEKT\PCISLOT.SCH	Drawn By: Uwe Schneider	



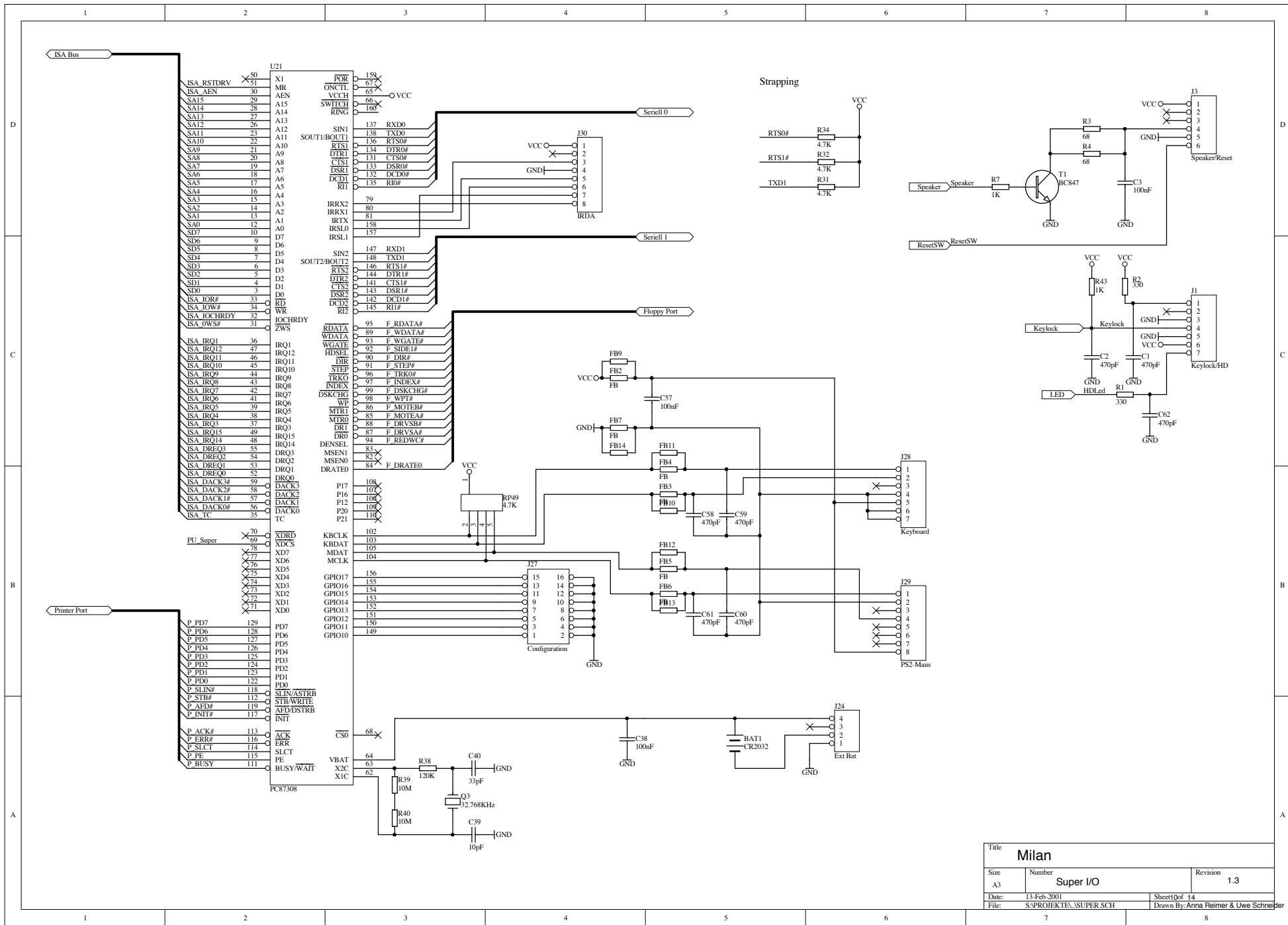
Title		Milan	
Size	Number	Revision	1.3
A3	PCI-ISA Bridge		
Date:	13-Feb-2001	Sheet 7 of 14	
File:	S:\PROJ\KTD_VPCI_ISA.SCH	Drawn By:	Uwe Schneider



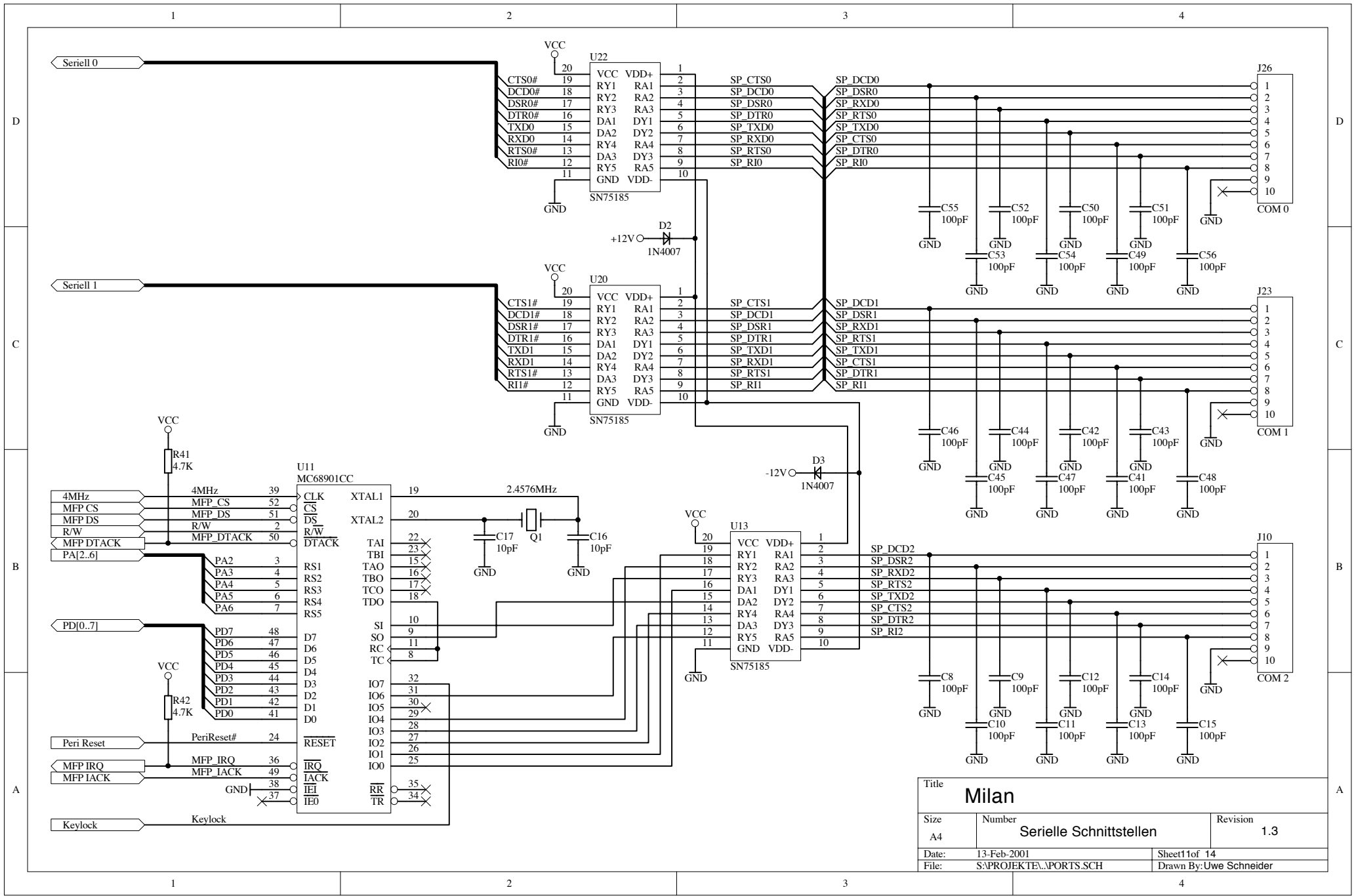
Title Milan		
Size A4	Number ISA Slots	Revision 1.3
Date:	13-Feb-2001	Sheet 8 of 14
File:	S:\PROJEKTE\..ISASLOT.SCH	Drawn By: Uwe Schneider



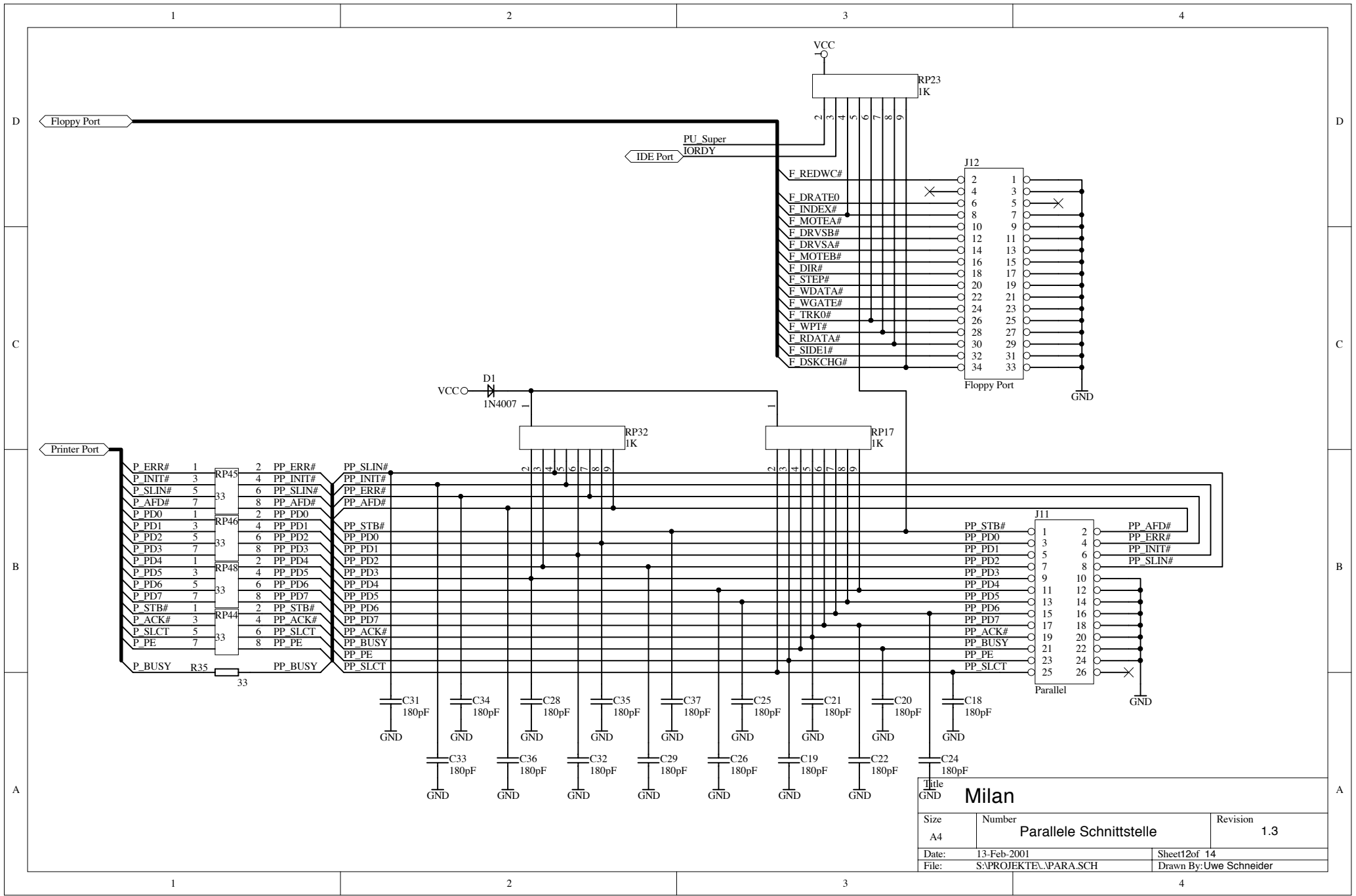
Title Milan		
Size A4	Number IDE Interface	Revision 1.3
Date: 13-Feb-2001	Sheet 9 of 14	
File: S:\PROJEKTE\IDE_PORT.SCH	Drawn By: Uwe Schneider	



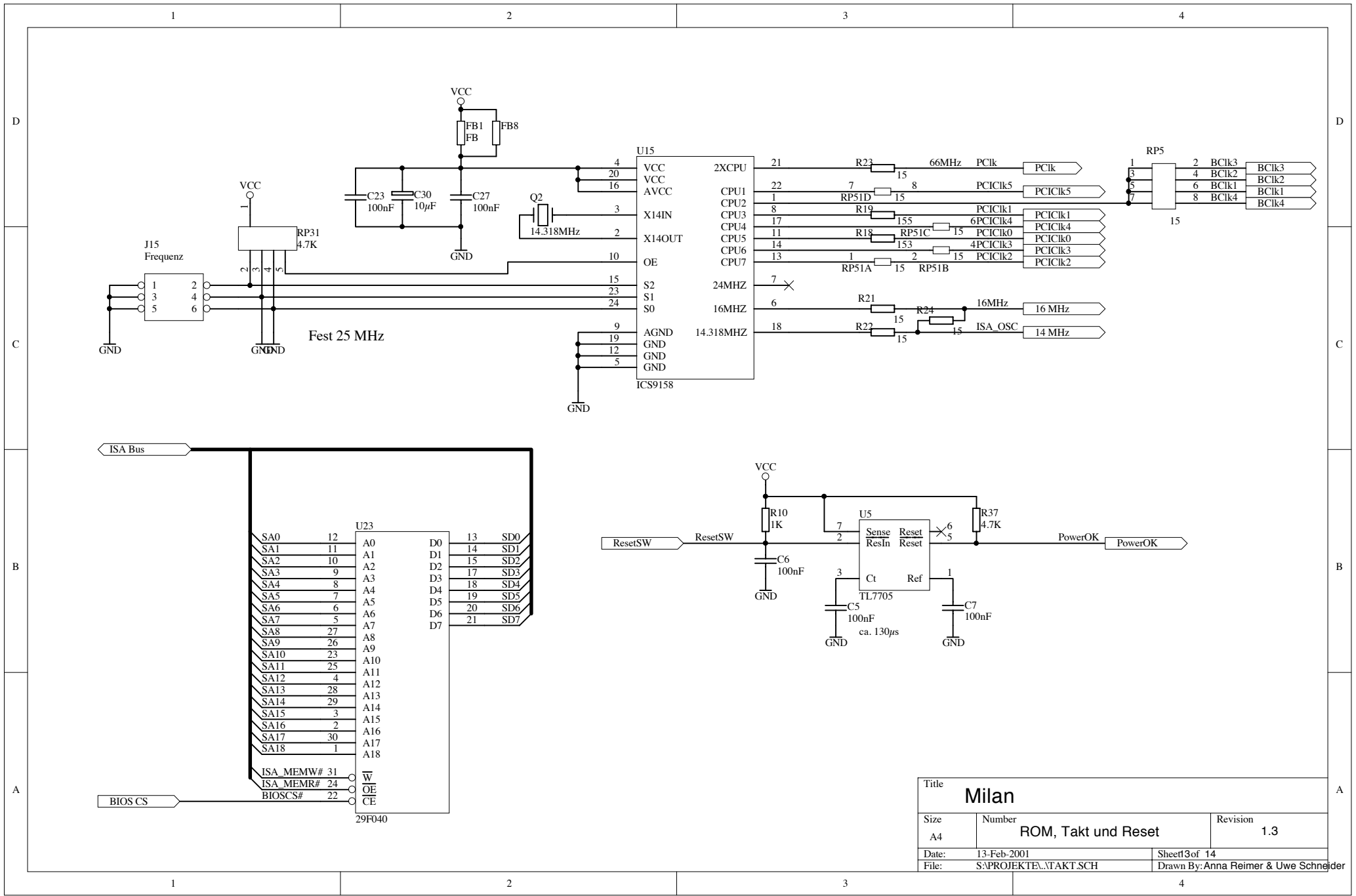
Title			
Milan			
Size	Number	Revision	1.3
A3	Super I/O		
Date:	13-Feb-2001	Sheet/Of:	14
File:	S:\PROJEKTID..SUPER.SCH	Drawn By:	Anna Reimer & Uwe Schneider



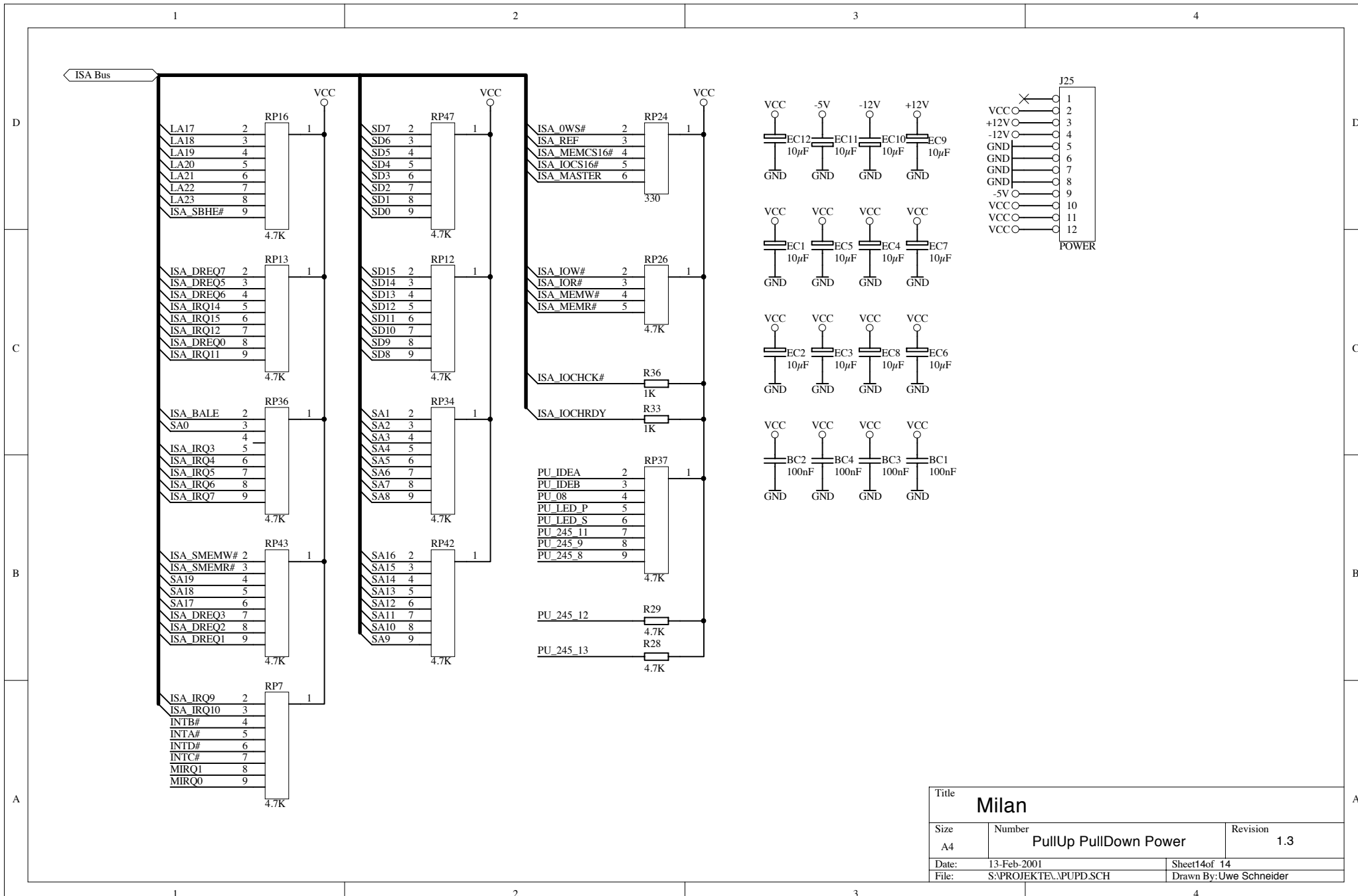
Title Milan		
Size A4	Number Serielle Schnittstellen	Revision 1.3
Date: 13-Feb-2001	Sheet1 of 14	
File: S:\PROJEKTE\PORTS.SCH	Drawn By: Uwe Schneider	



Title GND Milan		
Size A4	Number Parallele Schnittstelle	Revision 1.3
Date: 13-Feb-2001	Sheet12of 14	
File: S:\PROJEKTE\...PARA.SCH	Drawn By: Uwe Schneider	



Title Milan		
Size A4	Number ROM, Takt und Reset	Revision 1.3
Date: 13-Feb-2001	Sheet3of 14	
File: S:\PROJEKTE\TAKT.SCH	Drawn By: Anna Reimer & Uwe Schneider	



Title Milan		
Size A4	Number PullUp PullDown Power	Revision 1.3
Date: 13-Feb-2001	Sheet14of 14	
File: S:\PROJEKTE\..PUPD.SCH	Drawn By: Uwe Schneider	

